

DUOX

FERMAX

DUOX RELAY advanced manual

INSTALLATION MANUAL

en.

CONGRATULATIONS ON PURCHASING THIS QUALITY PRODUCT!

Fermax electronics manufactures and develops top class equipment which fulfil the highest design and technology standards.

We hope you enjoy its range of functions.

www.fermax.com.

DUOX RELAY advanced manual

Code 97822Ib V11_19

INDEX

1. INTRODUCTION	6
1.1 Functions/ Configurations.....	7
1.2. Usage guidelines.....	8
1.3 Basic connection diagram	8
2. CONFIGURATIONS -FUNCTIONS	9
CONFIGURATIONS	
2.1 Configuration as Block	9
2.2 Configuration as General Entrance	9
2.3 Resetting Parameters.....	9
2.4 Configuring activation times via integrated buttons.....	10
FUNCTIONS	
2.5 Functions depending on operating mode	10
2.5.1 TX Operating Mode	10
2.5.1.1 Lock-release function upon receiving a call.....	10
2.5.1.2 Lock-release function in configured panel	11
2.5.1.3 Call guard unit function.....	12
2.5.1.4 Activate or deactivate F1 relay	13
2.5.1.5 Activate or deactivate F2 relay	14
2.5.1.6 Activate or deactivate remote relay	16
2.5.1.7 Doormatic Function	17
2.5.2 RX Operating Mode.....	18
2.5.2.1 Activating relay upon receiving lock-release command.	18
2.5.2.2 Activation of the relay upon receiving a call to residence com- mand from a panel.....	21
2.5.2.3 Activating relay upon receiving call to guard unit command.....	24
2.5.2.4 Activating relay upon receiving self-start command	27
2.5.2.5 Activating relay upon receiving activate F1 relay command.....	30
2.5.2.6 Activating relay upon receiving activate F2 relay command.....	33
2.3.2.7 Activating or deactivating relay upon receiving an activate/deacti- vate command	36

Installation manual

1. INTRODUCTION

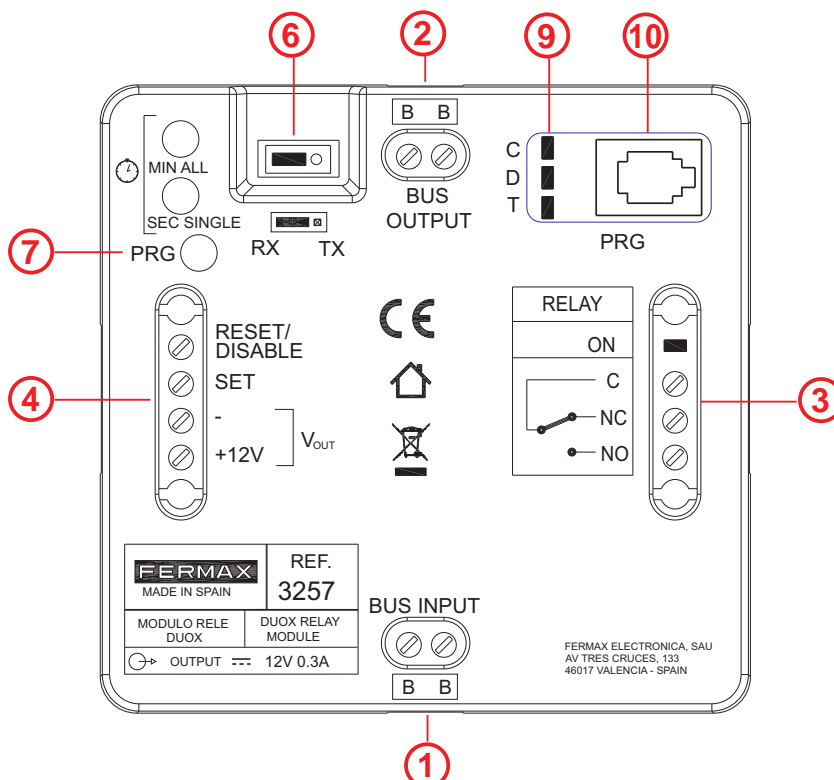
The DUOX Relay allows for dry contacts in BUS2 systems, with various operating and activation modes to be configured:

- Relay activation using commands generated from the residential terminals, entry panels or guard units.
- External activation using buttons, additional external switches, etc.

The DUOX relay can be installed in any part of the duox bus. You can install one or several relays: by apartments, block or installation.

Notes:

- The duox relay also provides the necessary current (12V dc), to activate the power to control: standard lock-release, bells, etc.



1. BUS INPUT: DUOX Input Connector.

2. BUS OUTPUT: DUOX Output Connector.

3. Dry contacts (max 3A):

- **C:** Common.
- **NC:** Normally Closed.
- **NO:** Normally Open.

Relay ON: Active relay output indicator Led

4. External relay control:

- **RESET/DISABLE**, -: Disables any action taken on the relay (as a result of an external command or activation) during a short circuit between both terminals.
- **SET**, -: Relay activation through external contact. Activates the relay as a result of a short circuit between SET and - (negative) terminals, and also transmits commands.

+12V Auxiliary voltage output 12Vdc (300mA max).

6. Operating Mode:

- **TX:** The mode where the relay sends commands to other devices depending on the configured command (in this mode, the relay does not activate the output).
- **RX:** The mode where the relay activates the output if the configured command is received by the bus and coincides with the other configured parameters.

7. **PRG:** Programming Access button.

8. **Min/All - Sec/Single: Buttons for Functions and Activation Times**

- **For Functions:** In combination with the PRG button (programming input), they are pressed to program the relay's different possible functions.

- **For activation times.**

* **Timed:** This allows you to configure the activation time between 1 and 120 seconds in the seconds range and between 1 and 120 minutes in the minute range.

* **Continued:** Allows the relay to be configured to keep the contact closed until deactivation occurs by means of a short-circuit between the RESET and -.

9. **C, D, T:** LED diodes that give information when programming, relative to the status: off, on, fast flash...etc.

10. **Telephone Connector:** For the DUOX Programmer connection.

1.1 FUNCTIONS / CONFIGURATIONS

VERY IMPORTANT NOTE:

Even though the relay is implemented on all functions detailed below, SOME functions may not yet be applied because the devices used for this will be available in the future.

The functions implemented on the relay are summarised below.

Functions implemented in TX Mode:

- Lock-release function after receiving a call.
- Lock-release function to a configured panel.
- Guard-unit call function.
- F1 relay activation or deactivation function.
- F2 relay activation or deactivation function.
- Remote relay activation or deactivation function.
- Doormatic function.

Functions implemented in RX Mode:

- Activating the relay upon receiving a lock-release command.
- Activation upon receiving a guard-unit call command.
- Activation upon receiving a call to residence command from a panel.
- Activation upon receiving an Auto-start command.
- Activation upon receiving an Activate F1 relay command.
- Activation upon receiving an Activate F2 relay command.
- Activation upon receiving an Activate/Deactivate relay command.

Note:

- *Whenever terminals from different blocks are required to activate the same relay, it must be configured as General Entrance.*

Other configurations:

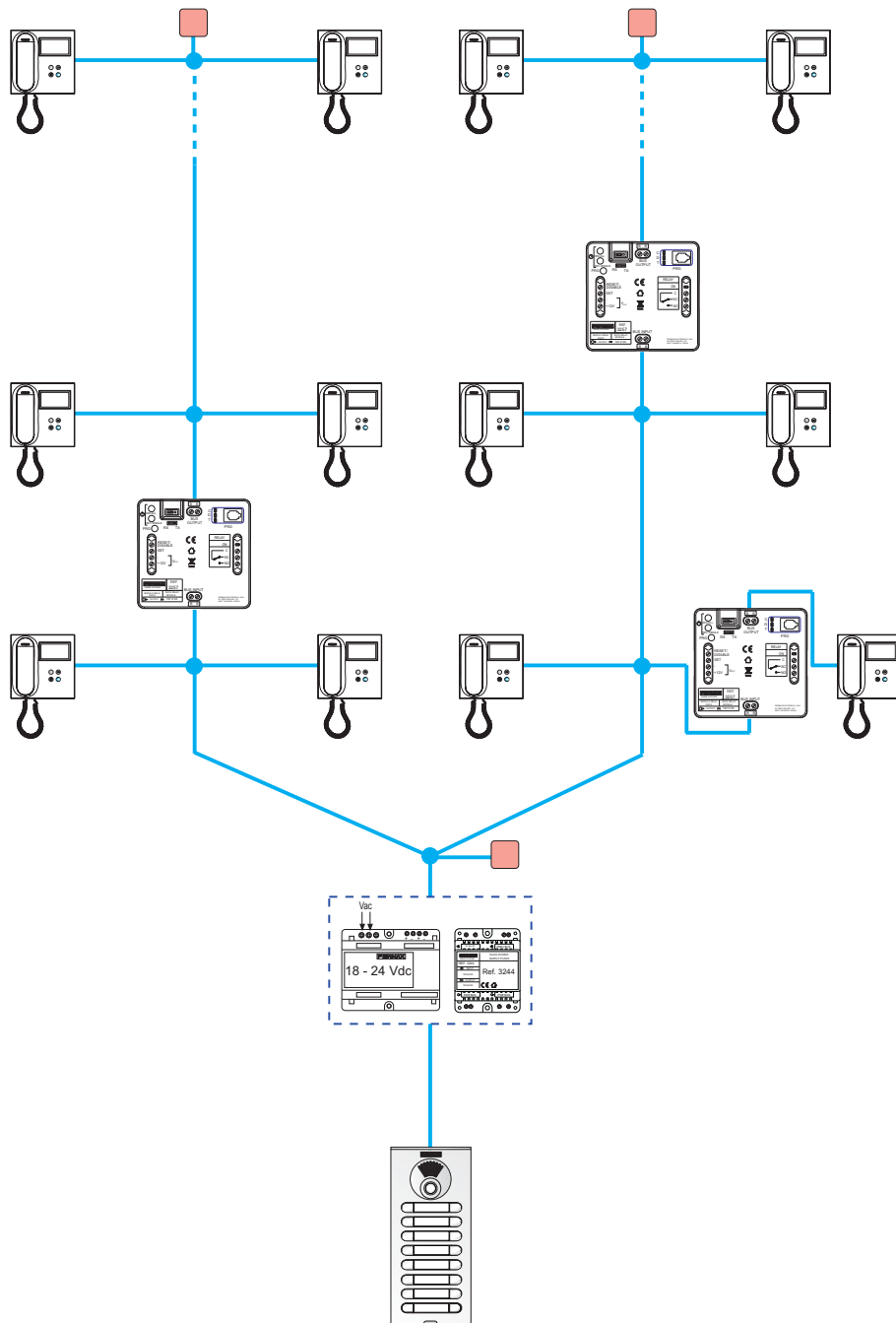
- Configuration of activation times via integrated push-buttons.
- Resetting Parameters.

1.2 USAGE CONSIDERATIONS

- There shouldn't be more than one relay with the same address in the installation (independent of the type of address).
- To configure the terminal's destinations, it must be in night mode.
- If entering the terminal addresses via the integrated button programming the ON Relay led does not light-up, re-call to ensure that the address has been properly saved. If the address is already saved in the memory, the led does not light-up and the address can not be duplicated.
- Once the range of addresses is programmed from the relay, you can change the start address and place it before the last one. You must make sure that the start and end address in the range are properly saved.

1.3 BASIC CONNECTION DIAGRAM

The DUOX relay can be installed in any part of the duox bus. You can install one or several relays: by apartments, block or installation.



2. CONFIGURATIONS - FUNCTIONS

CONFIGURATIONS

The DUOX relay can be configured as Block (2.1) or as General Input (2.2).

2.1 CONFIGURATION AS BLOCK

Connect the DUOX relay, press the "PRG" pushbutton, and the C led should light up. You will then have 60 seconds to program its address. To program the address, make a call from one of the terminals that is connected to the BUS OUTPUT terminal. The outdoor panel of the block must previously have been programmed with the parameters of the block number.

In this way, the block number will be configured in the relay. The relay can then be activated from any of the terminals that belong to this block number.

2.2 CONFIGURATION AS GENERAL ENTRANCE

If the relay is in RX mode and F1 or F2 command programming, it can be configured as a general entrance block.

To do this, repeat the steps mentioned in 2.1, but make sure that a bridge has been set up in advance between the – terminals and RESET/DISABLE.

In this way, the block will be configured as general entrance, and this relay will be able to be activated from any monitor or guard unit, regardless of the block number.

2.3 RESETTING PARAMETERS

Function description.

It performs a reset of the parameters to the default values:

- Configured command: None
- Relay address: 000
- Relay block: 00
- Continued mode: Deactivated
- Panels: Not configured
- Terminals: Not configured.
- Start of the Range: Not configured.
- End of the Range: Not configured.
- List of terminals: Empty.
- Activation time: 3 seconds.

Function configuration.

1. Press the **PRG** button 4 times so that the **C**, **D** and **T** leds remain blinking rapidly.
2. Press the **Min/All** and **Sec/Single** buttons simultaneously, the LEDS remain fixed for 4 seconds so that when they are off, the relay's configuration is reset to the default parameters.

Note:

- *If the duox relay has been previously configured, and if you are unsure about the previous configuration, we recommend performing a parameter rest to not interfere with the prior configurations.*

2.4 CONFIGURING ACTIVATION TIME VIA THE INTEGRATED BUTTONS (Sec/Single - Min/All)

Function description.

Configuration of activation times.

- * Timed: This allows you to configure the activation time between 1 and 120 seconds in the seconds range and between 1 and 120 minutes in the minute range.
- * Continued: Allows the relay to be configured to keep the contact closed until deactivation occurs by means of a short-circuit between the RESET and -.

Timed Function configuration.

1. Press the **PRG** button 3 times. The **T** led must remain lit.
2. a) If you want to configure the time in **seconds** press the **Sec/Single** button, with each press it increases the time 1 second and the **T** led flashes. If you have reached the maximum configurable time (120 seconds), the **T** led flashes rapidly.
 - b) If you want to configure the time in **minutes** press the **Min/All** button, with each press it increases the time 1 minute and the **T** led flashes. If you have reached the maximum configurable time (120 minutes), the **T** led flashes rapidly.

Note: Once the desired configured time is configured, press **PRG**. All leds must be off.

- You can not configure the times in both ranges (minutes and seconds). If the configuration starts within the range (minutes or seconds), continue within the same range and the buttons pressed on the other range will not be considered.

Continued function configuration.

1. Press the **PRG** button 3 times. The **T** led must remain lit.
2. Simultaneously press the buttons **Sec/Single** and **Min/All**, the leds should turn off.

Note:

- Once the relay has been activated it will remain active until a short circuit is done between **RESET** and -.

FUNCTIONS

2.5 FUNCTIONS DEPENDING ON OPERATING MODE

2.5.1 TX Operating Mode

- The mode where the relay sends commands to other devices depending on the configured command (in this mode, the relay does not activate the output).
- To access this mode configure the bridge to **TX** mode.

FUNCTIONS:

- Lock-release function after receiving a call.
- Lock-release function to a configured panel.
- Guard-unit call function.
- F1 relay activation or deactivation function.
- F2 relay activation or deactivation function.
- Remote relay activation or deactivation function.
- Doormatic function.

2.5.1.1 LOCK-RELEASE FUNCTION UPON RECEIVING A CALL

Function description.

You can associate the duox relay to a house so that upon calling a home you have 30 seconds, via activation of the Set terminal (button connected between the SET terminals and -) for the Lock-release command to be sent to the panel that last made the call. This way the user does not have to go to the house's terminal to press the lock-release button.

Function configuration.

1. Make a call from a telephone in the installation and answer.
2. Press the **PRG** button, the **C** led should light up.
3. Press the **Min/All** button, the **C** LED should blink quickly.
4. Press the **Lock-release** button on the previously used phone, the **C** led should turn off.
This way, the command is configured on the relay being serviced, now you must configure the terminal to include the function on.
5. Press the **PRG** button twice, the **D** led should light up.
6. Press the **Sec/Single** button, the **D** LED should blink quickly.
7. Make a call to the terminal you want to have the function. Upon making the call the **Relay On** led turns on for about 1.5 seconds.
8. Press the **PRG** button, all the leds must remain off. The function has been configured so that when a call is made to the configured phone, you have 30 seconds to press the Lock-release button (SET and -), and carry out the lock-release function over the panel you called.

Steps to change the terminal assigned the function.

1. Press the **PRG** button twice, the **D** led should light up.
2. Simultaneously press the **Min/All** and **Sec/Single**, the **D** led should remain off.
3. Repeats point 5 and 8 from the previous process.

Notes:

- *This function only works with one terminal address. If you need to configure terminals configured as "ALL," it will not attend to any terminal address.*
- *In the push-button configuration mode, if no button is pressed the relay returns to standby and all leds turn off after 300 seconds.*

2.5.1.2 LOCK-RELEASE FUNCTION IN CONFIGURED PANEL

Function description.

You can associate the duox relay to a panel so that the Set terminal (button connected between the SET terminals and -), send a lock-release command to the configured panel. This function is useful for entrance door buttons far from the street-panel.

Function configuration.

1. Make a call to a telephone in the installation from the panel you want to associate the relay, and answer.
2. Press the **PRG** button, the **C** led should light up.
3. Press the **sec/single** button, the **C** LED should blink slowly.
4. Press the **Lock-release** button on the previously used phone, the **C** led should turn off.
This way you have already configured the command attending to the relay.

Steps to change the panel assigned the function.

Carry out steps 1 to 4 of the previous process.

Note:

- *In the push-button configuration mode, if no button is pressed the relay returns to standby and all leds turn off after 300 seconds.*

2.5.1.3 CALL GUARD UNIT FUNCTION

Function description.

You can install a button for calling the guard unit, and it can be installed far from the phone. Via the terminal Set (button connected between the SET terminals and -), a call to guard unit is made with the configured telephone's original address, and with the configured guard unit as destination.

Notes:

- If you want to configure with the integrated buttons on the relay (Min/All - Sec/Single), you need a Duox telephone configured to send calls to the guard unit in Mixed mode. If you do not have a telephone configured this way, you must do so with the Duox Programmer, see the corresponding chapter in Section [“3. CONFIGURATIONS - FUNCTIONS: PROGRAMMING WITH THE DUOX PROGRAMMER”](#).

Configure the installation in Mixed mode so that the panels may make direct calls and the terminals may make calls to the guard unit.

Function configuration.

1. Press the **PRG** button, the **C** led should light up.
2. Press the **Sec/Single** button, the **C** LED should blink slowly.
3. Press on a push button telephone the **lock-release** button (in stand-by and without having received a call in the last 30 seconds), the **C** LED should remain off. This way you have already configured the command attending to the relay. The guard unit's address must always be the same as the configured telephone has.
4. Press the **PRG** button twice, the **D** led should light up.
5. Press the **Sec/Single** button, the **D** LED should blink quickly.
6. Make a call to the terminal you want to have the function. Upon making the call the **Relay On** led turns on for about 1.5 seconds.
7. Press the **PRG** button, all the leds must remain off. The function has been configured so that when a button connected to the SET terminal is pressed (SET and -), a call is made to the guard unit that has the configured telephone and the originating address is that marked during the call.

Steps to change the terminal assigned the function.

1. Press the **PRG** button twice, the **D** led should light up.
2. Simultaneously press the **Min/All** and **Sec/Single**, the **D** led should remain off.
3. Repeat points 4 and 7 from the previous process.

Note:

- In the push-button configuration mode, if no button is pressed the relay returns to standby and all leds turn off after 300 seconds.

2.5.1.4 ACTIVATE OR DEACTIVATE THE F1 RELAY FUNCTION

Function description.

* First operating mode:

You can activate or deactivate a second remote relay configured as F1 by activating the Set terminal (button connected between the SET and - terminals), in the relay that we are configuring.

For this, the second relay must be configured as described in chapter: [2.5.2 RX Operating Mode](#), section: [2.5.2.5 ACTIVATING RELAY UPON RECEIVING ACTIVATE F1 RELAY COMMAND](#).

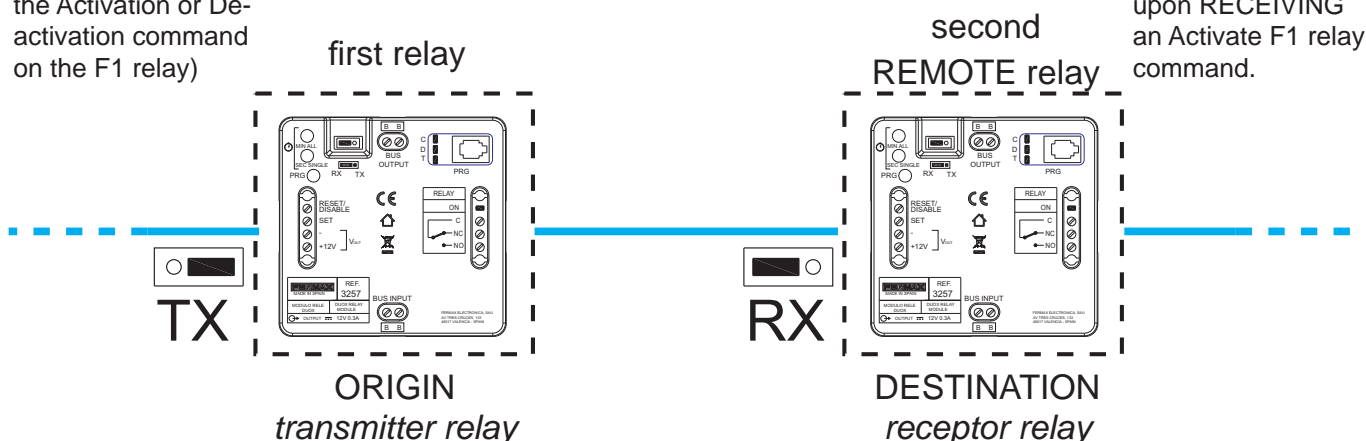
If the relay we are configuring activates the Reset terminal (button connected between the RESET and - terminals), the remote relay configured as F1 is deactivated.

* Second operating mode:

Continued mode. If a relay in charge of activating the second remote relay we activate Continued mode (see: [2.4 CONFIGURATION OF ACTIVATION TIMES VIA THE INTEGRATED PUSH BUTTONS \(Sec/Single - Min/All\)](#)), upon activating the first relay's Set terminal, the second remote relay configured as F1 is activated, and if the Set terminal is deactivated or the Reset terminal on the first relay is activated, the second F1 remote relay is deactivated.

(the one being configured as SEND of the Activation or Deactivation command on the F1 relay)

(configured as Activation or Deactivation upon RECEIVING an Activate F1 relay command.



Note:

- If you want to configure with the integrated buttons on the relay (Min/All - Sec/Single), you need a telephone with auxiliary F1 configured to send an F1 command.
- If you do not have a telephone with auxiliary F1 function (ex. an Extra telephone), you must do so with the Duox Programmer, see the corresponding chapter in Section [“3. CONFIGURATIONS - FUNCTIONS: PROGRAMMING WITH THE DUOX PROGRAMMER”](#).

Function configuration.

1. Press the **PRG** button, the **C** led should light up.
2. Press the **Sec/Single** button, the **C** LED should blink slowly.
3. Press the Loft Duox Extra telephone the **F1** key, the **C** LED must remain off. This way you have already configured the command attending to the relay. The **F1** remote relay activated must have the same block address as the telephone.

By default, Continued is deactivated, so upon activating the **Set** terminal, the **F1** remote relay is activated and and the Reset terminal deactivates the **F1** remote relay.

If you want to activate the Continued mode

1. Press the **PRG** button 3 times, the **T** led should light up.
2. Simultaneously press the **Min/All** and **Sec/Single**, all leds should remain off.

Notes:

- *The time and mode (timer/Continued), configured in the relay transmitter does not effect the receptor relay.*

- *Local mode (transmitter relay - relay on):*

* *SET ON -> Activates relay.*

* *RESET ON -> Deactivates relay.*

- *Continued mode:*

Remote Relay Activation:

* *SET ON -> Activates remote relay.*

* *SET OFF*

RESET ON > *Remote Relay deactivation.*

If you want to activate the Continued mode.

1. Press the **PRG** button 3 times, the **T** led should light up.
2. Press the **Sec/Single** button, the **T** LED should blink once.
3. Press the PRG button, all the leds must remain off.

Note:

- *In the push-button configuration mode, if no button is pressed the relay returns to standby and all leds turn off after 300 seconds.*

2.5.1.5 ACTIVATE OR DEACTIVATE THE F2 RELAY FUNCTION**Function description.**

* First operating mode:

You can activate or deactivate a second remote relay configured as F2 by activating the Set terminal (button connected between the SET and - terminals), in the relay that we are configuring.

For this, the second relay must be configured as described in section: [2.5.2 RX Operating Mode](#), section: [2.5.2.6 ACTIVATING OR DEACTIVATING A RELAY UPON RECEIVING AN ACTIVATE F2 RELAY COMMAND](#).

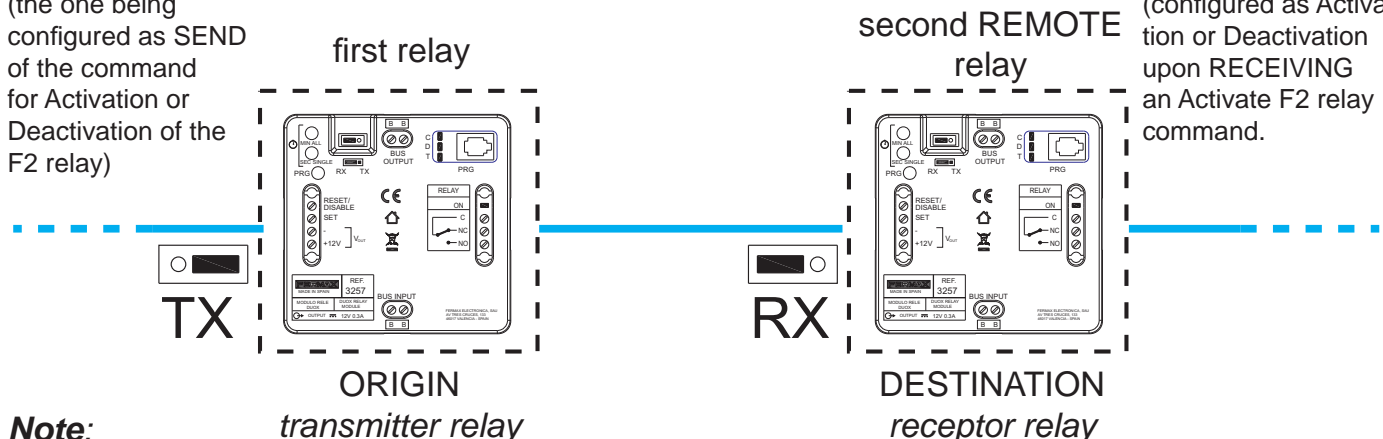
If the relay we are configuring activates the Reset terminal (button connected between the RESET and - terminals), the remote relay configured as F2 is deactivated.

* Second operating mode:

Continued mode. If a relay in charge of activating the second remote relay, we activate Continued mode (see: [2.4 CONFIGURATION OF ACTIVATION TIMES VIA THE INTEGRATED PUSH BUTTONS \(Sec/Single - Min/All\)](#)), upon activating the first relay's Set terminal, the second remote relay is configured as F2 is activated, and if the Set terminal is deactivated or the Reset terminal on the first relay is activated, the second F2 remote relay is deactivated.

(the one being configured as SEND of the command for Activation or Deactivation of the F2 relay)

(configured as Activation or Deactivation upon RECEIVING an Activate F2 relay command.



Note:

- If you want to configure with the integrated buttons on the relay (Min/All - Sec/Single), you need a telephone with an auxiliary F2 function (for example, an Extra phone, with an F2 button. If you do not have a telephone with auxiliary F2 function (ex. an Extra telephone), you must do so with the Duox Programmer, see the corresponding chapter in Section "3. CONFIGURATIONS - FUNCTIONS: PROGRAMMING WITH THE DUOX PROGRAMMER".

Function configuration.

1. Press the **PRG** button, the **C** led should light up.
2. Press the **Sec/Single** button, the **C** LED should blink slowly.
3. Press on the Loft Duox Extra the **F2** button, the **C** led should turn off. This way you have already configured the command attending to the relay. The **F2** remote relay activated must have the same block address as the telephone.

By default, Continued is deactivated, so upon activating the **Set** terminal, the **F2** remote relay is activated and and the Reset terminal deactivates the **F2** remote relay.

If you want to activate the Continued mode

1. Press the **PRG** button 3 times, the **T** led should light up.
2. Simultaneously press the **Min/All** and **Sec/Single**, all leds should remain off.

Notes:

- The time and mode (timer/Continued), configured in the relay transmitter does not effect the receptor relay.

- Local mode (transmitter relay - relay on):

- * **SET ON** -> Activates relay.
- * **RESET ON** -> Deactivates relay.

- Continued mode:

Remote Relay Activation:

* **SET ON** -> Activates remote relay.

* **SET OFF** / **RESET ON** > Remote Relay deactivation:

If you want to deactivate the Continued mode.

1. Press the **PRG** button 3 times, the **T** led should light up.
2. Press the **Sec/Single** button, the **T** LED should blink once.
3. Press the PRG button, all the leds must remain off.

Note:

- In the push-button configuration mode, if no button is pressed the relay returns to standby and all leds turn off after 300 seconds.

2.5.1.6 ACTIVATE OR DEACTIVATE THE REMOTE RELAY FUNCTION

Function description.

* First operating mode:

You can activate or deactivate a second remote relay by activating the Set terminal (button connected between the SET and - terminals), in the relay that we are configuring.

For this, the second relay must be configured as described in section: [2.5.2 RX Operating Mode](#), section: [2.5.2.7 ACTIVATING OR DEACTIVATION OF THE RELAY UPON RECEIVING AN ACTIVATE/DEACTIVATE COMMAND](#).

If the relay we are configuring activates the Reset terminal (button connected between the RESET and - terminals), the remote relay is deactivated.

By default, Continued function is deactivated, so upon activating the **Set** terminal, the remote relay is activated and the Reset terminal deactivates the remote relay.

Note: The time configured in the transmitter relay does not effect the receptor relay.

* Second operating mode:

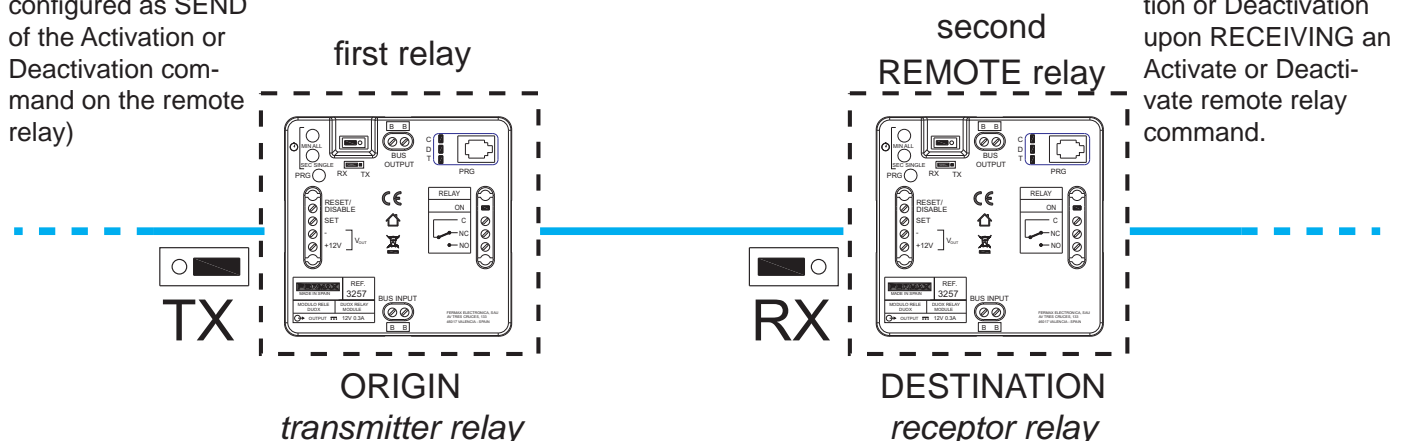
Continued mode. If a relay in charge of activating the second remote relay, we activate Continued mode (see: [2.4 CONFIGURATION OF ACTIVATION TIMES VIA THE INTEGRATED PUSH BUTTONS \(Sec/Single - Min/All\)](#)), upon activating the Set terminal of the first relay, the second remote relay is activated, and if the Set terminal is deactivated or the Reset terminal on the first relay is activated, the second remote relay is deactivated.

Notes:

- This configuration can not be made using integrated push buttons in the relay (Min/All - Sec/Single), and must be done via the Duox Programmer, see the corresponding chapter in Section [“3. CONFIGURATIONS - FUNCTIONS: PROGRAMMING WITH THE DUOX PROGRAMMER”](#).

(the one being configured as SEND of the Activation or Deactivation command on the remote relay)

(configured as Activation or Deactivation upon RECEIVING an Activate or Deactivate remote relay command.



Notes:

- The time and mode (timer/bi-stable), configured in the relay transmitter does not effect the receptor relay.
 - Local mode (transmitter relay - relay on):
 - * SET ON -> Activates relay.
 - * RESET ON -> Deactivates relay.
 - Bi-stable mode:
- Remote Relay Activation:
- * SET ON -> Activates remote relay.
 - *

SET OFF	}	Remote Relay deactivation:
RESET ON		

2.5.1.7 DOORMATIC FUNCTION**Function description.**

You can add the Doormatic function to a device that does not have it, (ex. the Loft Duox Basic Telephone). When the relay receives the Normal Call command to the configured home, after 5 seconds, it sends the Lock-release command to the last panel that made the call.

Function configuration.

1. Press the **PRG** button, the **C** led should light up.
2. Press the **Min/All** button, the **C** LED should blink quickly.
3. Make a call to any telephone from a street panel, the led **C** must remain off. This way, the command is configured on the relay being serviced, now you must configure the terminal to include the Doormatic function on.
4. Press the **PRG** button twice, the **D** led should light up.
5. Press the **Sec/Single** button, the **D** LED should blink quickly.
6. Make a call to the terminal you want to have the Doormatic function. Upon making the call the **Relay On** led turns on for about 1.5 seconds.
7. Press the **PRG** button, all the leds must remain off. The function has been configured so that when you make a call to the configured telephone, after 5 seconds the Lock-release is activated.

Steps to change the terminal assigned the Doormatic function.

1. Press the **PRG** button twice, the **D** led should light up.
2. Simultaneously press the **Min/All** and **SEC/SINGLE**, the **D** led should remain off.
3. Repeat points 4 and 7 from the previous process.

Notes:

- This function only works with one terminal address. If you need to configure terminals configured as "ALL," it will not attend to any terminal address.
- In the push-button configuration mode, if no button is pressed the relay returns to standby and all leds turn off after 300 seconds.

2.5.2 RX Operating Mode

- The mode where the relay activates the output and the configured command is received and coincides with the other configured parameters.
- To access this mode configure the bridge to **RX** mode.

FUNCTIONS:

- Activating relay upon receiving the lock-release command
- Activation the relay upon receiving a call to residence command from a panel.
- Activation of the relay upon receiving a guard-unit call command.
- Activating of the relay upon receiving an auto-start command.
- Activation of the relay upon receiving an Activate F1 relay command.
- Activation of the relay upon receiving an Activate F2 relay command.
- Activation of the relay upon receiving an Activate/Deactivate command.
- Activation of the relay for an indefinite time.

Note:

- *Whenever terminals from different blocks are required to activate the same relay, it must be configured as General Entrance.*

2.5.2.1 ACTIVATION OF THE RELAY UPON RECEIVING A LOCK-RELEASE COMMAND

Function description

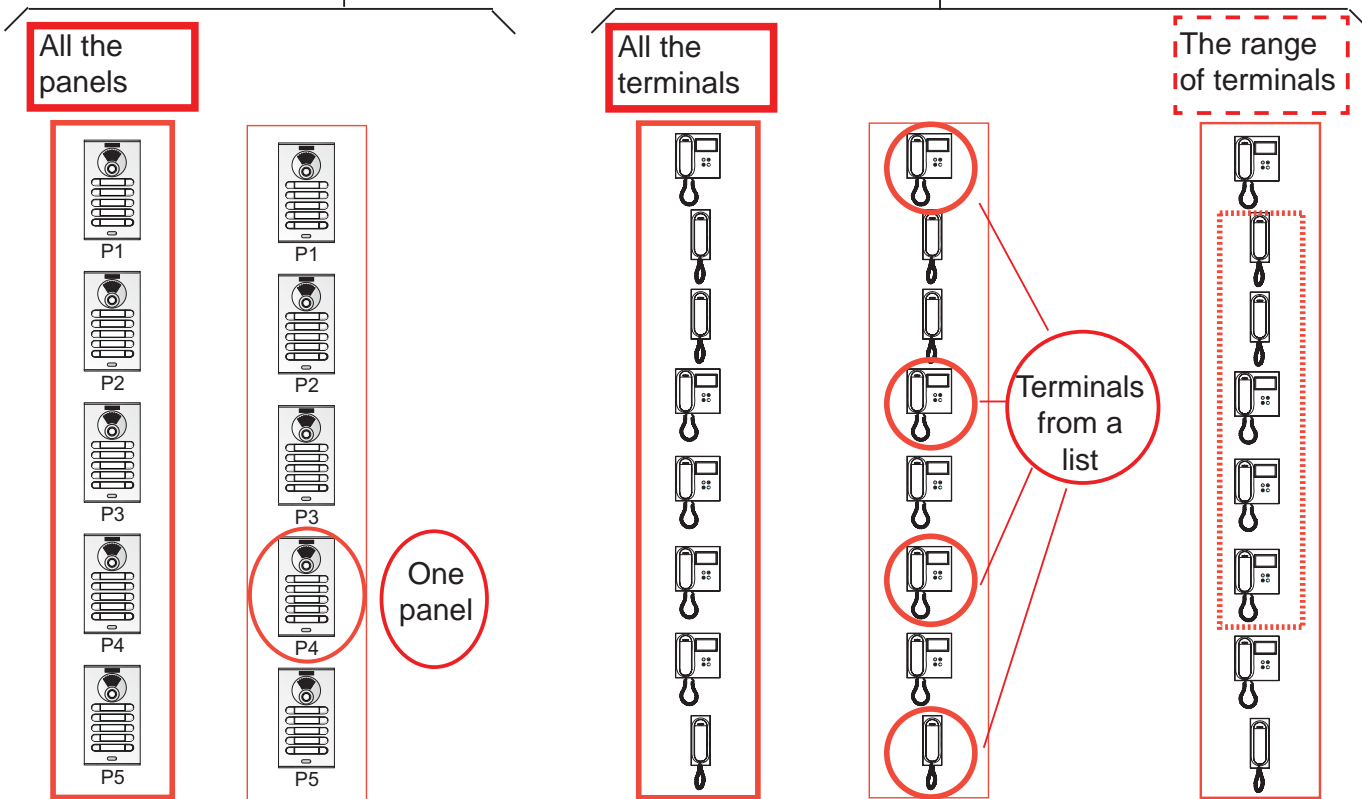
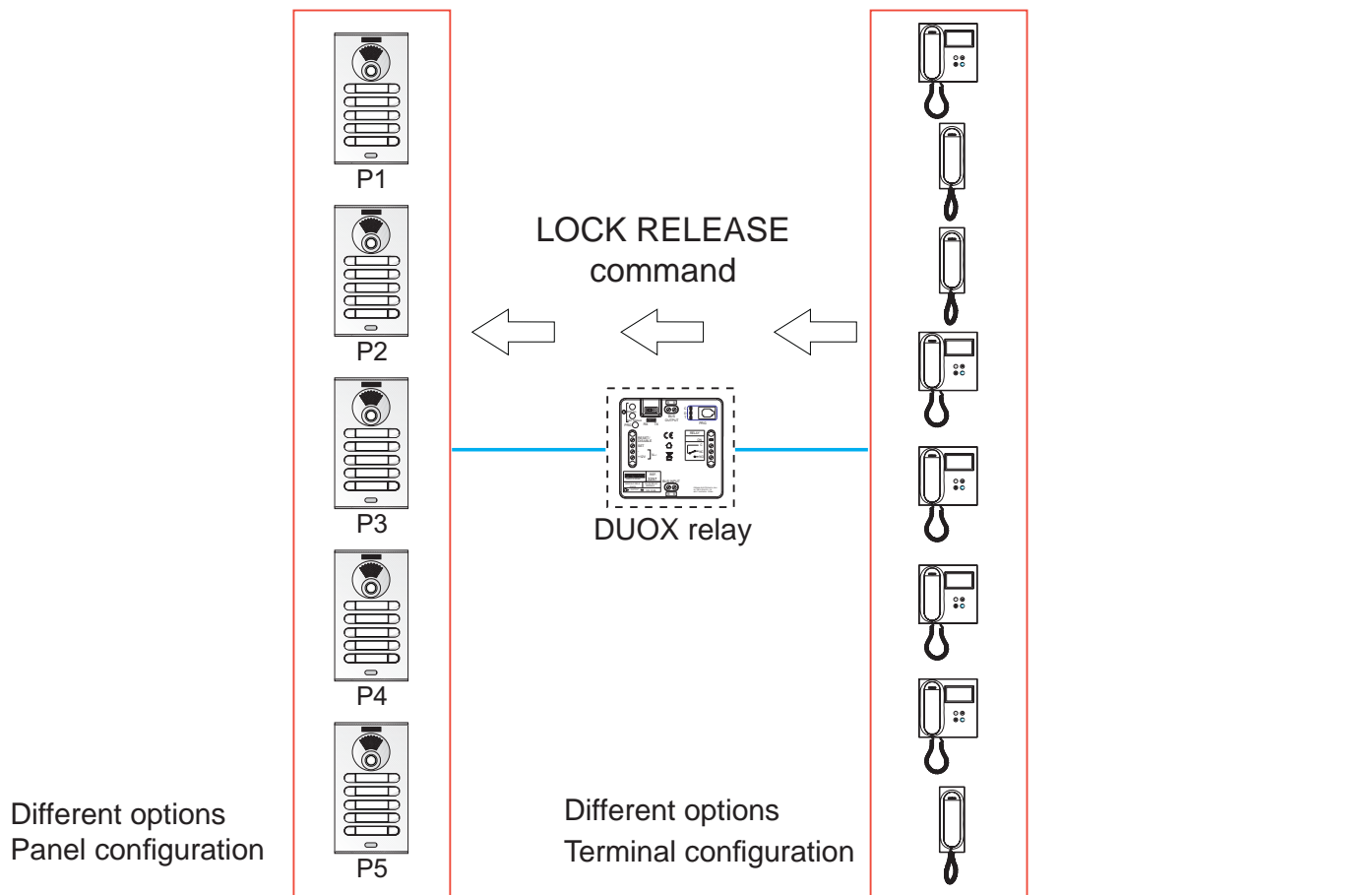
You can configure the relay to activate upon receiving a **Lock-release** command from residence terminals.

The residence terminals send the lock-release command to the panel upon pressing the lock-release button. The relay, if configured this way, can be activated upon receiving the lock-release command. The residence terminals can send the lock-release command to a specific panel or to all panels in the installation, understanding that this command is sent individually to each of them.

- The lock-release command, relative to the **residence terminals** sending them can be configured as:
 - * All installed terminals (ALL).
 - * Terminals from a list (maximum 100 terminals).
 - * Terminals included within a defined range (consecutive).
- The lock-release command, relative to the **panels** receiving them can be configured as:
 - * All panels (they individually receive each command, not all in the group).
*For example: In the installation the panels are P1, P2, P3, P4 and P5. The residence terminal can open the door of Panel P1 or Panel P2 or Panel P3 or Panel P4 or Panel P5. Upon configuring the lock-release command in **All the panels**, any time any panel receives it the relay is activated.*
 - * Only one panel.
*For example: In the installation the panels are P1, P2, P3, P4 and P5. The residence terminal can open the door of Panel P1 or Panel P2 or Panel P3 or Panel P4 or Panel P5. Upon configuring the lock-release command in **a single panel**, for example, Panel P4, only when Panel P4 receives the command is the relay activated.*

DESTINATION

ORIGIN



Function configuration.

First step: Configure the command and panel.

1. Make a call from a telephone in the installation and answer.
2. Press the **PRG** button, the **C** led should light up.
3. a) If you want the relay to activate with the Lock-release command for **all panels** press the **Min/All** button and the **C** led should flash quickly.
 - b) If you want the relay to activate with the Lock-release command for the **panel** that made the call, press the **Sec/Single** button, and the **C** led should flash slowly.
4. Press the **Lock-release** button on the previously used phone, the **C** led should turn off.

Second step: Configuration of the command's origin (residence terminals).

The lock-release command, relative to the **residence terminals** sending them can be configured as:

- a) All installed terminals (ALL).
- b) Terminals from a list (maximum 100 terminals).
- c) Terminals included within a defined range (consecutive).

a) Configuration: All installed terminals (ALL).

1. Press the **PRG** button twice, the **D** led should light up.
2. Press the **Min/All** button. The relay leds should remain off.

b) Configuration: Terminals in a list (maximum 100 terminals).

1. Press the **PRG** button twice, the **D** led should light up.
2. Press the **Sec/Single** button. The **D** led should flash quickly.
3. From a street panel, make a call to the telephone address we want to assign this function. The **Relay On** led should light up if the telephone address is not on the list. The telephone has been added to the list.

If you want to add more telephones, repeat this step.

To finish, press the **PRG** button.

Note:

- When the list is complete (100 terminals), the **Relay On** led flashes quickly.

Steps to DELETE the complete list

1. Press the **PRG** button twice, the **D** led should light up.
2. Simultaneously press the **Sec/Single** and **Min/All** buttons. All leds should be off. The list has been deleted.

c) Configuration: Terminals included within a defined range (consecutive).

1. Press the **PRG** button twice, the **D** led should light up.
2. Press the **Sec/Single** button. The **D** led should flash quickly.
3. Press the **Min/All** button. The **D** led should flash slowly.
4. From a street panel, make a call to the **first address in the range**. Leds **C** and **D** should blink slowly.

5. From a street panel, make a call to the **first address in the range**. The last address should be greater than the first one. All leds should be off.

Note:

- To configure the first and last addresses in the range to make the call from a push-button panel, press the corresponding buttons for these addresses as indicated in steps 4 and 5. Remember that if the panel has a keypad, the call is made by entering the residence number + the bell key.

Steps to DELETE the entered range.

1. Press the **PRG** button twice, the **D** led should light up.
2. Simultaneously press the **Sec/Single** and **Min/All** buttons. All leds should be off. The range entered has been deleted.

Third step: Configuration of the activation time.

To configure the activation time, follow point: See: [2.4 CONFIGURING ACTIVATION TIME VIA THE INTEGRATED BUTTONS \(Sec/Single - Min/All\)](#).

2.5.2.2 ACTIVATION OF THE RELAY UPON RECEIVING A CALL TO RESIDENCE COMMAND FROM A STREET PANEL.

Function description.

You can configure the relay to activate upon receiving a **call to residence** command from a panel.

The panel, upon making a call, sends a call to residence command to the residence's terminal (or terminals). The relay, if configured this way, can activate upon receiving the call residence command. The residence terminals can receive the call to residence command from a specific panel or from all panels in the installation, understanding that this command is sent individually to each terminal.

- The call to residence command, relative to the **residence terminals** receiving them can be configured as:

- * All installed terminals (ALL).
- * Terminals from a list (maximum 100 terminals).
- * Terminals included within a defined range (consecutive).

- The call to residence command, relative to the **panels** sending them can be configured as:

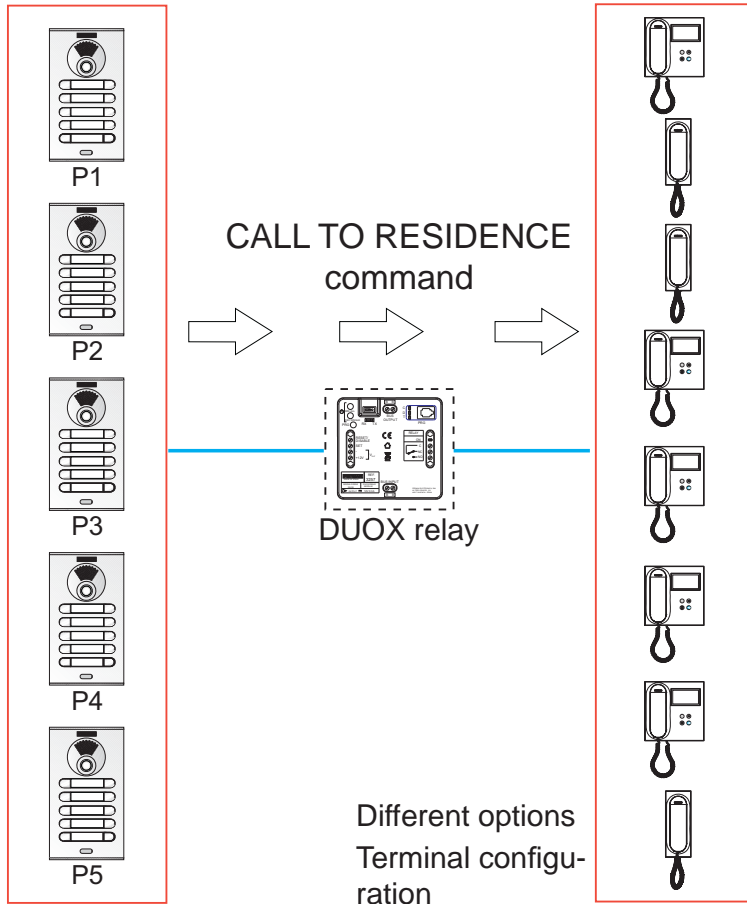
* All panels (they individually send each command, not all in the group).
*For example: In the installation the panels are P1, P2, P3, P4 and P5. The residence terminal can receive a call from Panel P1 or Panel P2 or Panel P3 or Panel P4 or Panel P5. Upon configuring the call to residence command in **All panels**, the relay is activated when the call to residence command is sent from any panel.*

* Only one panel.

*For example: In the installation the panels are P1, P2, P3, P4 and P5. The residence terminal can receive a call from Panel P1 or Panel P2 or Panel P3 or Panel P4 or Panel P5. Upon configuring the call to residence command in **a single panel**, for example, Panel P4, only when Panel P4 sends the call to residence command is the relay activated.*

ORIGIN

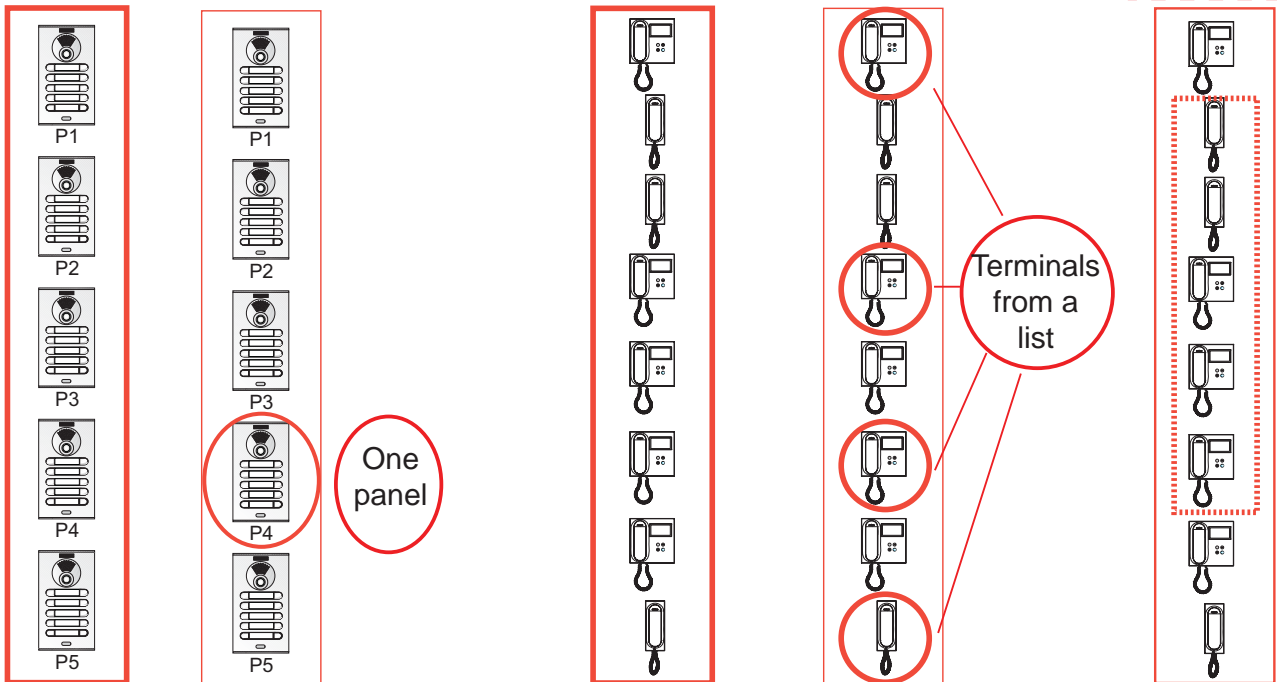
DESTINATION



All the panels

All the terminals

The range of terminals



Function configuration.

First step: Configure the command and panel.

1. Press the **PRG** button, the **C** led should light up.
2. a) If you want the relay to activate with a call to residence command from **all panels** press the **Min/All** button and the **C** led should flash quickly.
 - b) If you want the relay to activate with a call to residence command from the **panel** that configured it, press the **Sec/Single** button, and the **C** led should flash slowly.
3. In the panel to make a call to a residence. The relay leds should remain off.

Second step: Configuration of the command's destination (residence terminals).

The call to residence command, relative to the **residence terminals** receiving them can be configured as:

- a) All installed terminals (ALL).
- b) Terminals from a list (maximum 100 terminals).
- c) Terminals included within a defined range (consecutive).

a) Configuration: All installed terminals (ALL).

1. Press the **PRG** button twice, the **D** led should light up.
2. Press the **Min/All** button. The relay leds should remain off.

b) Configuration: Terminals in a list (maximum 100 terminals).

1. Press the **PRG** button twice, the **D** led should light up.
2. Press the **Sec/Single** button. The **D** led should flash quickly.
3. From a street panel, make a call to the telephone address we want to assign this function. The **Relay On** led should light up if the telephone address is not on the list. The telephone has been added to the list.

If you want to add more telephones, repeat this step.

To finish, press the **PRG** button.

Note:

- When the list is complete (100 terminals), the **Relay On** led flashes quickly.

Steps to DELETE the complete list

1. Press the **PRG** button twice, the **D** led should light up.
2. Simultaneously press the **Sec/Single** and **Min/All** buttons. All leds should be off. The list has been deleted.

c) Configuration: Terminals included within a defined range (consecutive).

1. Press the **PRG** button twice, the **D** led should light up.
2. Press the **Sec/Single** button. The **D** led should flash quickly.
3. Press the **Min/All** button. The **D** led should flash slowly.
4. From a street panel, make a call to the **first address in the range**. Leds **C** and **D** should blink slowly.

5. From a street panel, make a call to the **first address in the range**. The last address should be greater than the first one. All leds should be off.

Note:

- To configure the first and last addresses in the range to make the call from a push-button panel, press the corresponding buttons for these addresses as indicated in steps 4 and 5. Remember that if the panel has a keypad, the call is made by entering the residence number + the bell key.

Steps to DELETE the entered range.

1. Press the **PRG** button twice, the **D** led should light up.
2. Simultaneously press the **Sec/Single** and **Min/All** buttons. All leds should be off. The range entered has been deleted.

Third step: Configuration of the activation time.

To configure the activation time, follow point: See: [2.4 CONFIGURING ACTIVATION TIME VIA THE INTEGRATED BUTTONS \(Sec/Single - Min/All\)](#)

2.5.2.3 ACTIVATING THE RELAY UPON RECEIVING A CALL TO GUARD UNIT COMMAND

Function description.

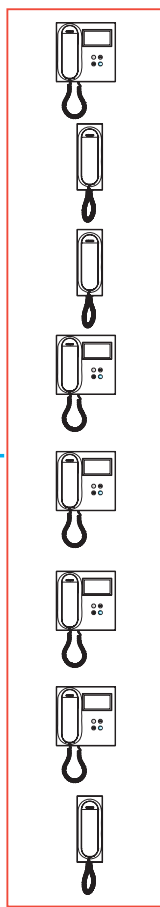
You can configure the relay to activate upon receiving a **Call to guard unit** command from residence terminals.

The residence terminals send the lock-release command to the panel upon pressing the lock-release button (in stand-by). The relay, if configured this way, can activate upon receiving the call guard unit command. The residence terminals can send the call guard unit command to a specific guard unit or to all guard units in the installation, understanding that this command is sent individually to each of them.

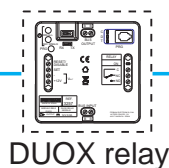
- The call to guard unit command, relative to the **residence terminals** sending them can be configured as:
 - * All installed terminals (ALL).
 - * Terminals from a list (maximum 100 terminals).
 - * Terminals included within a defined range (consecutive).
- The call to guard unit command, relative to the **guard units** receiving them can be configured as:
 - * All guard units (they individually receive each command, not all in the group).
*For example: In the installation there are guard units C1, C2, C3, C4 and C5. The residence terminal can call Guard unit C1 or Guard unit C2 or Guard unit C3 or Guard unit C4 or Guard unit C5. Upon configuring the call to guard unit command in **All the guard units**, any time any guard unit receives it the relay is activated.*
 - * Only one guard unit.
*For example: In the installation there are guard units C1, C2, C3, C4 and C5. The residence terminal can call Guard unit C1 or Guard unit C2 or Guard unit C3 or Guard unit C4 or Guard unit C5. Upon configuring the call guard unit command in **a single guard unit**, for example, Guard unit C4, only when Guard unit C4 receives the call guard unit command is the relay activated.*

DESTINATION

ORIGIN



CALL TO GUARD UNIT
command



DUOX relay

Different options
Guard
Unit configura-
tion

Different options
Terminal configu-
ration

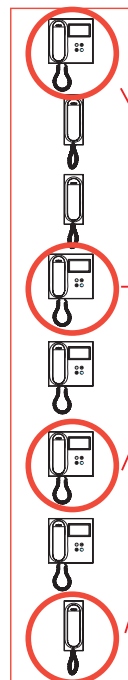
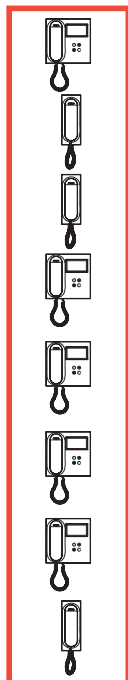
All the
guard units

All the
terminals

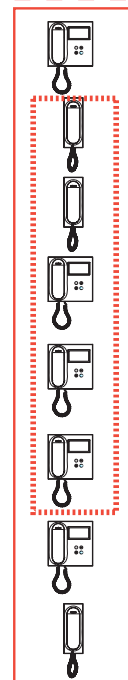
From a range
of terminals



One guard
unit



Terminals
from a
list



Function configuration.

First step: Configure the command and guard unit.

1. Press the **PRG** button, the **C** led should light up.
2. a) If you want the relay to activate with a call to guard unit command destined to **all guard units** press the **Min/All** button and the **C** led should flash quickly.
b) If you want the relay to activate with the call to guard unit command for the **guard unit** configured on the phone, press the **Sec/Single** button, and the **C** led should flash slowly.
3. Press on the phone (in stand-by) the **Lock-release** key to make a call to the guard unit. The relay leds should remain off.

Second step: Configuration of the command's origin (residence terminals).

The call to residence command, relative to the **residence terminals** sending them can be configured as:

- a) All installed terminals (ALL).
- b) Terminals from a list (maximum 100 terminals).
- c) Terminals included within a defined range (consecutive).

a) Configuration: All installed terminals (ALL).

1. Press the **PRG** button twice, the **D** led should light up.
2. Press the **Min/All** button. The relay leds should remain off.

b) Configuration: Terminals in a list (maximum 100 terminals).

1. Press the **PRG** button twice, the **D** led should light up.
2. Press the **Sec/Single** button. The **D** led should flash quickly.
3. From a street panel, make a call to the telephone address we want to assign this function. The **Relay On** led should light up if the telephone address is not on the list. The telephone has been added to the list.
If you want to add more telephones, repeat this step.
To finish, press the **PRG** button.

Note:

- When the list is complete (100 terminals), the **Relay On** led flashes quickly.

Steps to DELETE the complete list

1. Press the **PRG** button twice, the **D** led should light up.
2. Simultaneously press the **Sec/Single** and **Min/All** buttons. All leds should be off. The list has been deleted.

c) Configuration: Terminals included within a defined range (consecutive).

1. Press the **PRG** button twice, the **D** led should light up.
2. Press the **Sec/Single** button. The **D** led should flash quickly.
3. Press the **Min/All** button. The **D** led should flash slowly.
4. From a street panel, make a call to the **first address in the range**. Leds **C** and **D** should blink slowly.

5. From a street panel, make a call to the **last address in the range**. The last address should be greater than the first one. All leds should be off.

Note:

- To configure the first and last addresses in the range to make the call from a push-button panel, press the corresponding buttons for these addresses as indicated in steps 4 and 5. Remember that if the panel has a keypad, the call is made by entering the residence number + the bell key.

Steps to DELETE the entered range.

1. Press the **PRG** button twice, the **D** led should light up.
2. Simultaneously press the **Sec/Single** and **Min/All** buttons. All leds should be off. The range entered has been deleted.

Third step: Configuration of the activation time.

To configure the activation time, follow point: See: [2.4 CONFIGURING ACTIVATION TIME VIA THE INTEGRATED BUTTONS \(Sec/Single - Min/All\)](#).

2.5.2.4 ACTIVATION OF THE RELAY UPON RECEIVING AUTO-START COMMAND

Function description.

You can configure the relay to activate upon receiving an **Auto-start** command from residence terminals.

In Duox installations the Auto-start is done from the residence terminals with:

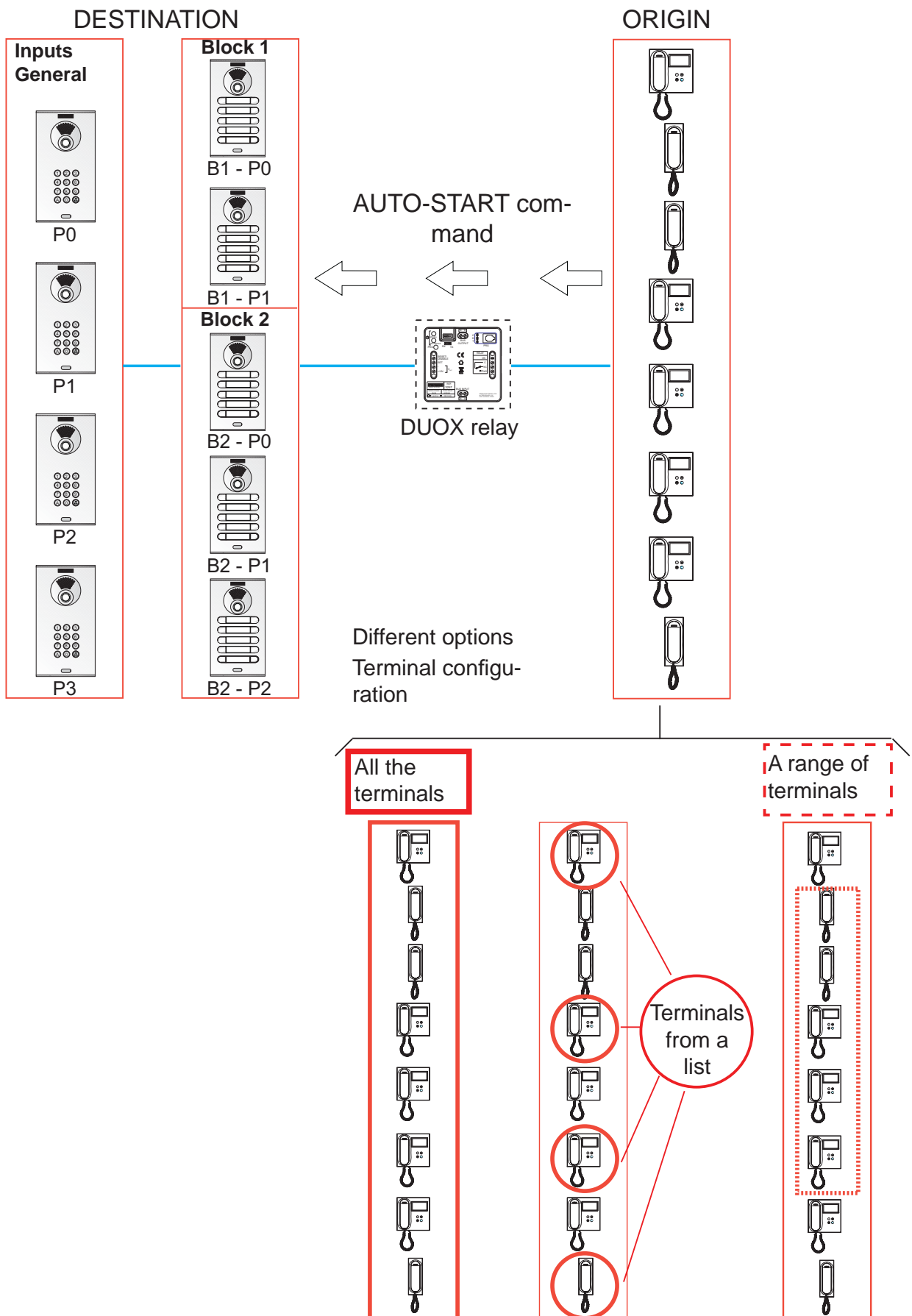
- Panel 0 of its own block, if audio terminals.
- Via a selection menu with Panel 0 or Panel 1 of the same block, or with Panel 0 of the General Entrance, if for video terminals.

Note:

- The auto-start command is done on all panels (understanding that this command is sent individually to each of them), there is no option for auto-start on a specific panel (within the panels in which auto-start can be performed).

The residence terminals (whether audio or video) send the auto-start command to the panel. The relay, if configured this way, can be activated upon receiving the auto-start command.

- The auto-start command, relative to the **residence terminals** sending them can be configured as:
 - * All installed terminals (ALL).
 - * Terminals from a list (maximum 100 terminals).
 - * Terminals included within a defined range (consecutive).
- The lock-release command, relative to the **panels** receiving them can act on:
 - * All panels (they individually receive each command, not all in the group).



Function configuration.

First step: Configuration of commands.

1. Press the **PRG** button, the **C** led should light up.
2. For the relay to activate with the auto-start command for **all panels** press the **Min/All** button and the **C** led should flash quickly.
3. On a home terminal, perform an **auto-start**. The relay leds should remain off.

Second step: Configuration of the command's origin (residence terminals).

The lock-release command, relative to the **residence terminals** sending them can be configured as:

- a) All installed terminals (ALL).
- b) Terminals from a list (maximum 100 terminals).
- c) Terminals included within a defined range (consecutive).

a) Configuration: All installed terminals (ALL).

1. Press the **PRG** button twice, the **D** led should light up.
2. Press the **Min/All** button. The relay leds should remain off.

b) Configuration: Terminals in a list (maximum 100 terminals).

1. Press the **PRG** button twice, the **D** led should light up.
2. Press the **Sec/Single** button. The **D** led should flash quickly.
3. From a street panel, make a call to the telephone address we want to assign this function. The **Relay On** led should light up if the telephone address is not on the list. The telephone has been added to the list.

If you want to add more telephones, repeat this step.

To finish, press the **PRG** button.

Note:

- When the list is complete (100 terminals), the **Relay On** led flashes quickly.

Steps to DELETE the complete list

1. Press the **PRG** button twice, the **D** led should light up.
2. Simultaneously press the **Sec/Single** and **Min/All** buttons. All leds should be off. The list has been deleted.

c) Configuration: Terminals included within a defined range (consecutive).

1. Press the **PRG** button twice, the **D** led should light up.
2. Press the **Sec/Single** button. The **D** led should flash quickly.
3. Press the **Min/All** button. The **D** led should flash slowly.
4. From a street panel, make a call to the **first address in the range**. Leds **C** and **D** should blink slowly.
5. From a street panel, make a call to the **last address in the range**. The last address should be greater than the first one. All leds should be off.

5. From a street panel, make a call to the **last address in the range**. The last address should be greater than the first one. All leds should be off.

Note:

- To configure the first and last addresses in the range to make the call from a push-button panel, press the corresponding buttons for these addresses as indicated in steps 4 and 5. Remember that if the panel has a keypad, the call is made by entering the residence number + the bell key.

Steps to DELETE the entered range.

1. Press the **PRG** button twice, the **D** led should light up.
2. Simultaneously press the **Sec/Single** and **Min/All** buttons. All leds should be off. The range entered has been deleted.

Third step: Configuration of the activation time.

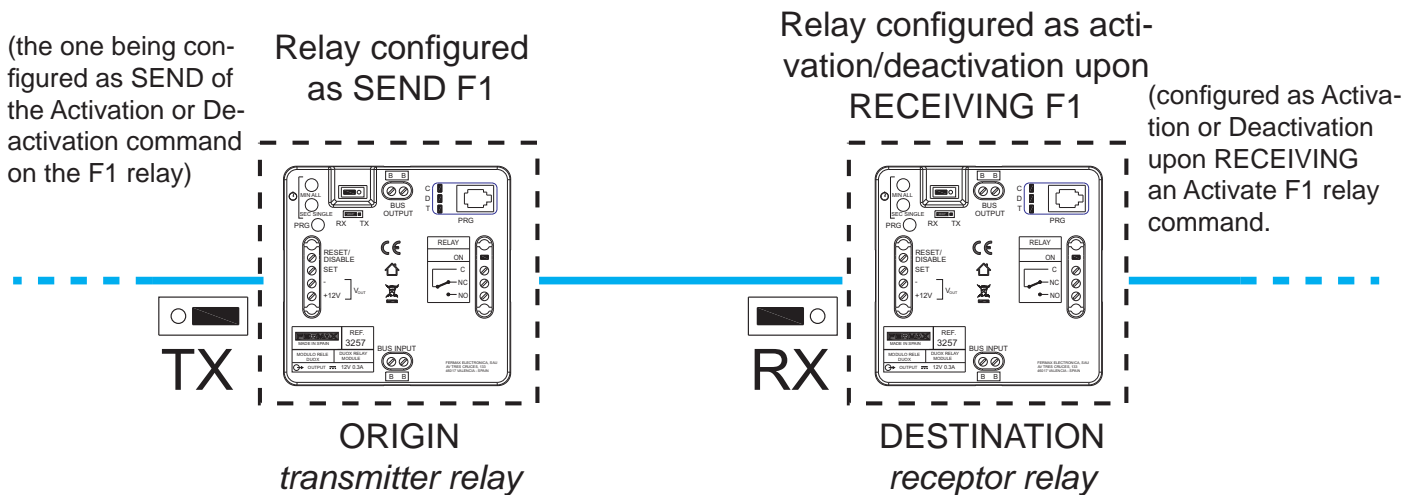
To configure the activation time, follow point: See: [2.4 CONFIGURING ACTIVATION TIME VIA THE INTEGRATED BUTTONS \(Sec/Single - Min/All\)](#).

2.5.2.5 ACTIVATING OR DEACTIVATING THE RELAY UPON RECEIVING AN ACTIVATE F1 RELAY COMMAND

Function description.

You can configure the relay to activate or deactivate upon receiving the activate or deactivate the **F1 relay**:

- a) Transmitted by a phone or
- b) Transmitted by a duox relay configured as explained in section: [2.5.1. TX Operating mode section 2.3.1.4 ACTIVATION OR DEACTIVATION FUNCTION OF F1 RELAY](#).



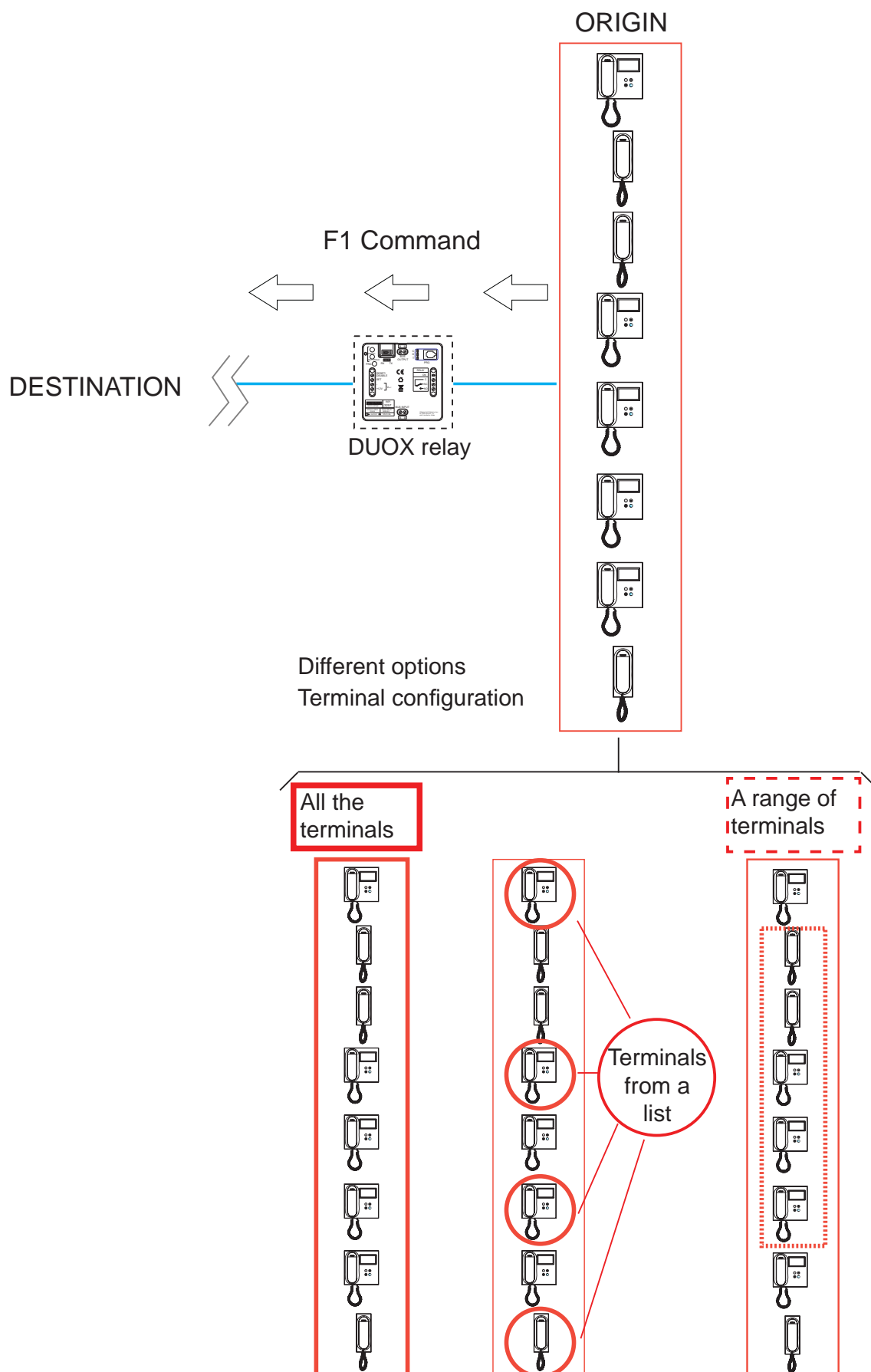
a) F1 transmitted by a phone

The residence terminals must have an F1 button to send the F1 command, (for example, the loft duox extra phone).

Upon pressing the F1 button on the phone, it sends the F1 command. The relay, if configured this way, can be activated upon receiving the command.

- The F1 command, relative to the **residence terminals** sending them can be configured as:

- * All installed terminals (ALL).
- * Terminals from a list (maximum 100 terminals).
- * Terminals included within a defined range (consecutive).



Function configuration.

First step: Configuration of commands.

1. Press the **PRG** button, the **C** led should light up.
2. If you want the relay to activate with the F1 command, press the **SEC/Single** button and the **C** led should flash slowly.
3. In a residence terminal press the **F1** button. The relay leds should remain off.

Second step: Configuration of the command's origin (residence terminals).

The F1 command, relative to the **residence terminals** sending them can be configured as:

- a) All installed terminals (ALL).
- b) Terminals from a list (maximum 100 terminals).
- c) Terminals included within a defined range (consecutive).

a) Configuration: All installed terminals (ALL).

1. Press the **PRG** button twice, the **D** led should light up.
2. Press the **Min/All** button. The relay leds should remain off.

b) Configuration: Terminals in a list (maximum 100 terminals).

1. Press the **PRG** button twice, the **D** led should light up.
2. Press the **Sec/Single** button. The **D** led should flash quickly.
3. From a street panel, make a call to the telephone address we want to assign this function. The **Relay On** led should light up if the telephone address is not on the list. The telephone has been added to the list.

If you want to add more telephones, repeat this step.

To finish, press the **PRG** button.

Note:

- When the list is complete (100 terminals), the **Relay On** led flashes quickly.

Steps to DELETE the complete list

1. Press the **PRG** button twice, the **D** led should light up.
2. Simultaneously press the **Sec/Single** and **Min/All** buttons. All leds should be off. The list has been deleted.

c) Configuration: Terminals included within a defined range (consecutive).

1. Press the **PRG** button twice, the **D** led should light up.
2. Press the **Sec/Single** button. The **D** led should flash quickly.
3. Press the **Min/All** button. The **D** led should flash slowly.
4. From a street panel, make a call to the **first address in the range**. Leds **C** and **D** should blink slowly.
5. From a street panel, make a call to the **last address in the range**. The last address should be greater than the first one. All leds should be off.

2.5.2.6 ACTIVATING OR DEACTIVATING THE RELAY UPON RECEIVING AN ACTIVATE F2 RELAY COMMAND

Function description.

You can configure the relay to activate or deactivate upon receiving the activate or deactivate the F1 relay command:

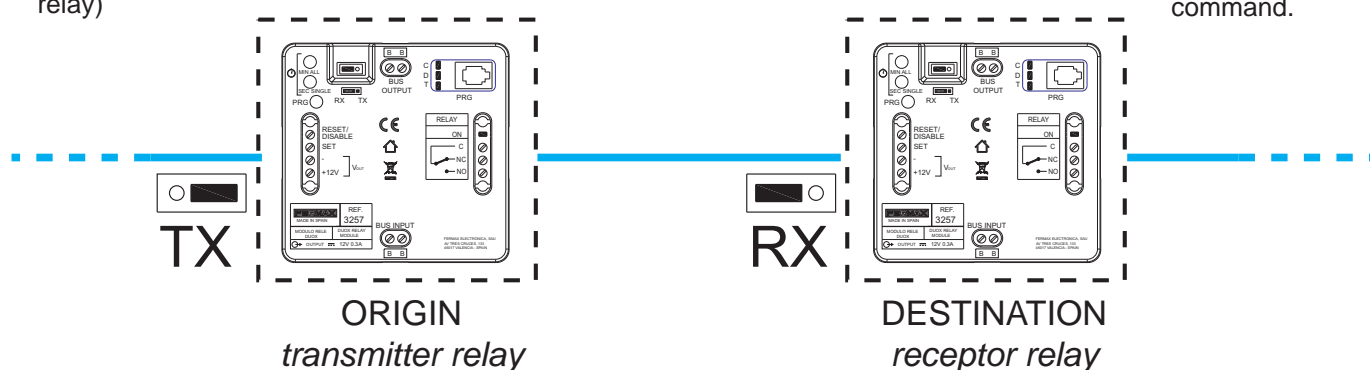
- a) Transmitted by a phone or
- b) Transmitted by a duox relay configured as explained in section: [2.5.1. TX Operating mode](#), [section 2.5.1.5 ACTIVATE OR DEACTIVATE THE F2 RELAY FUNCTION](#).

(the relay being configured as SEND of the Activation or Deactivation command on the F2 relay)

Relay configured as SEND F2

Relay configured as activation/deactivation upon RECEIVING F2

(configured as Activation or Deactivation upon RECEIVING an Activate F2 relay command.)



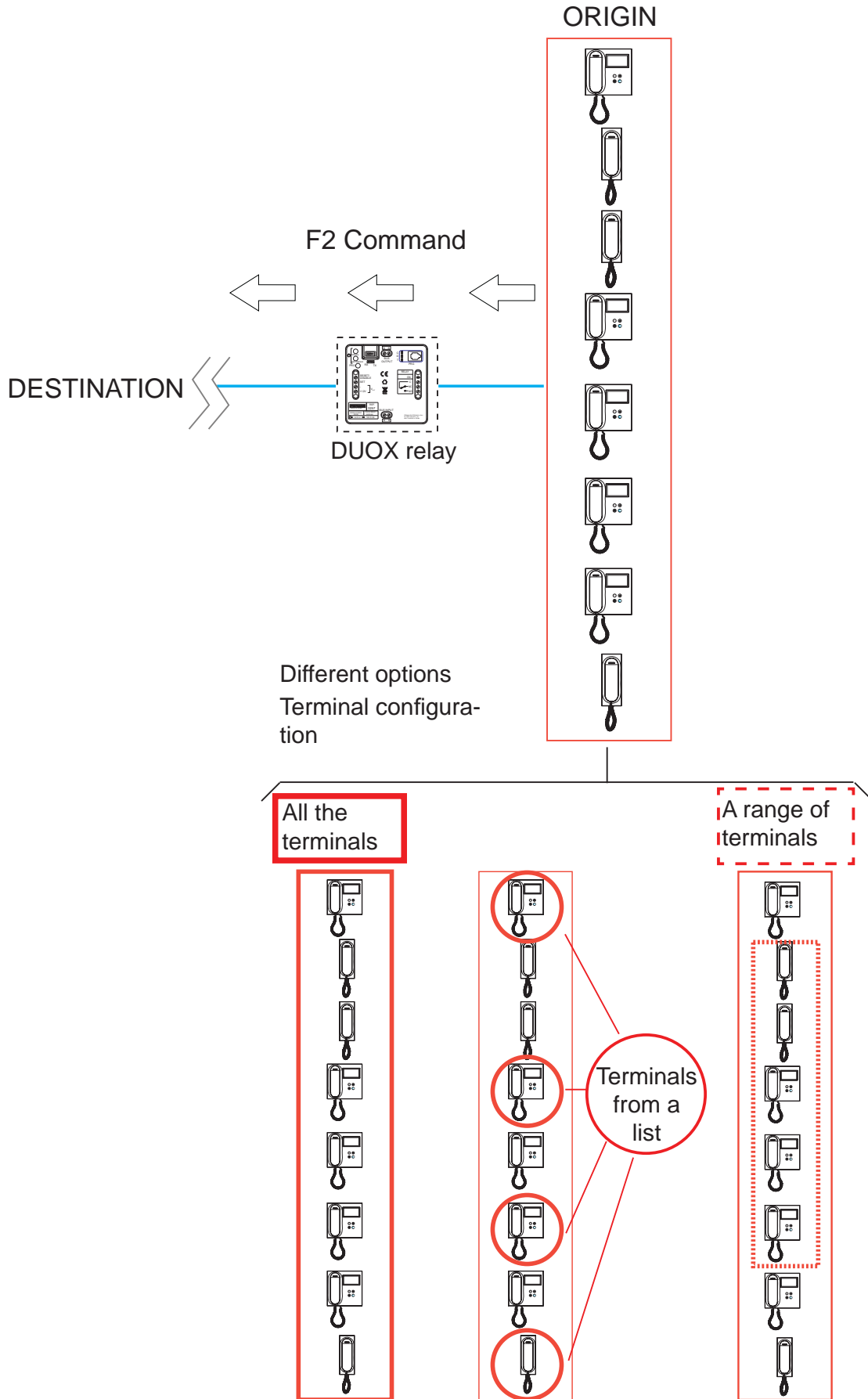
a) F2 transmitted by a phone

The residence terminals must have an F2 button (or default function) to send the F2 command, (for example, the loft duox extra phone).

Upon pressing the F2 button on the telephone, the F2 command is sent. The relay, if configured this way, can be activated upon receiving the command.

- The F2 command, relative to the **residence terminals** sending them can be configured as:

- * All installed terminals (ALL).
- * Terminals from a list (maximum 100 terminals).
- * Terminals included within a defined range (consecutive).



Function configuration.

First step: Configuration of commands.

1. Press the **PRG** button, the **C** led should light up.
2. If you want the relay to activate with the F2 command, press the **SEC/Single** button and the **C** led should flash slowly.
3. A residence terminal pressing the **F2** button. The relay leds should remain off.

Second step: Configuration of the command's origin (residence terminals).

The F2 command, relative to the **residence terminals** sending them can be configured as:

- a) All installed terminals (ALL).
- b) Terminals from a list (maximum 100 terminals).
- c) Terminals included within a defined range (consecutive).

a) Configuration: All installed terminals (ALL).

1. Press the **PRG** button twice, the **D** led should light up.
2. Press the **Min/All** button. The relay leds should remain off.

b) Configuration: Terminals in a list (maximum 100 terminals).

1. Press the **PRG** button twice, the **D** led should light up.
2. Press the **Sec/Single** button. The **D** led should flash quickly.
3. From a street panel, make a call to the telephone address we want to assign this function. The **Relay On** led should light up if the telephone address is not on the list. The telephone has been added to the list.

If you want to add more telephones, repeat this step.

To finish, press the **PRG** button.

Note:

- When the list is complete (100 terminals), the **Relay On** led flashes quickly.

Steps to DELETE the complete list

1. Press the **PRG** button twice, the **D** led should light up.
2. Simultaneously press the **Sec/Single** and **Min/All** buttons. All leds should be off. The list has been deleted.

c) Configuration: Terminals included within a defined range (consecutive).

1. Press the **PRG** button twice, the **D** led should light up.
2. Press the **Sec/Single** button. The **D** led should flash quickly.
3. Press the **Min/All** button. The **D** led should flash slowly.
4. From a street panel, make a call to the **first address in the range**. Leds **C** and **D** should blink slowly.
5. From a street panel, make a call to the **last address in the range**. The last address should be greater than the first one. All leds should be off.

2.5.2.7 ACTIVATING OR DEACTIVATING THE RELAY UPON RECEIVING AN ACTIVATE/ DEACTIVATE COMMAND (receptor relay)

Function description.

The relay can be configured to **activate it** when an Activate Relay command is received at its address, or **deactivate** upon receiving the Deactivate relay command, transmitted by a remote device.

* First remote device operating mode (transmitter relay):

You can activate or deactivate a **relay** by activating the Set terminal (button connected between the SET and - terminals), from a remote relay.

For this, the remote relay must be configured as described in section: [2.5.1 TX Operating Mode](#), section: [2.5.1.6 ACTIVATE OR DEACTIVATE THE REMOTE RELAY FUNCTION](#)

If the relay we are configuring activates the Reset terminal (button connected between the RESET and - terminals), the relay (receptor) is deactivated.

By default, Continued function is deactivated, so upon activating the **Set** terminal, the remote relay is activated and the **Reset** terminal deactivates the remote relay.

Note: The time configured in the transmitter relay does not effect the receptor relay.

* Second remote device operating mode (transmitter relay):

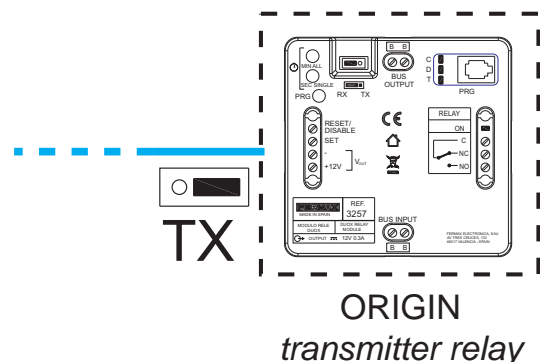
Continued mode. If with a relay in charge of activating the relay (receptor), we activate Continued mode see: [2.4 CONFIGURATION OF ACTIVATION TIMES VIA THE INTEGRATED PUSH BUTTONS \(Sec/Single - Min/All\)](#), upon activating the Set terminal of the transmitter relay, the relay is activated (receptor), and if the Set terminal is deactivated or the Reset terminal on the first transmitter relay is activated, the relay (receptor) is deactivated.

Notes:

- This configuration can not be made using integrated push buttons in the relay (Min/All - Sec/Single), and must be done via the Duox Programmer, see the corresponding chapter in Section [“3. CONFIGURATIONS - FUNCTIONS: PROGRAMMING WITH THE DUOX PROGRAMMER”](#).

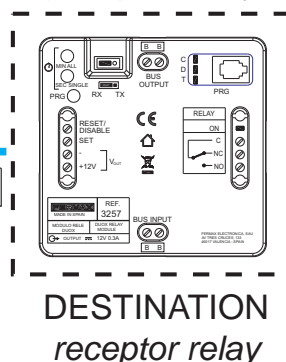
(remote relay configured as transmitter, SEND the Activation or Deactivation command on relay)

REMOTE relay (transmitter relay)



(configured as Activation or Deactivation upon RECEIVING an Activate or Deactivate transmitter relay command.)

Relay (receptor relay)



Notes:

- The time and mode (timer/Continued), configured in the transmitter relay does not effect the receptor relay.

- Local mode (transmitter relay - relay on):

* SET ON -> Activates relay.

* RESET ON -> Deactivates relay.

- Continued mode:

Remote Relay Activation:

* SET ON -> Activates remote relay.

* $\left[\begin{array}{l} \text{SET OFF} \\ \text{RESET ON} \end{array} \right. > \text{Remote Relay deactivation.}$

3. CONFIGURATIONS - FUNCTIONS: PROGRAMMING WITH THE DUOX PROGRAMMER

Important information regarding turning the Programmer on/off:

- The programmer is turn on by pressing the **On/Off button**.
- To turn off the programmer, long press **On/Off** for 2 seconds, until the display turns off. If the programmer is inactive for 1 minute, it displays **CONNECTION OFF**, and should turn off, as explained, to be able to use it again.
This is because in the configuration mode via the Duox Programmer, there is a 60 second timeout where if no key is pressed on the programmer, the relay returns to standby and the programmer displays the message **CONNECTION OFF**.

CONFIGURATIONS

3.1 RESETTING PARAMETERS

The parameter reset for the relay to return to its default values can only be done with the integrated buttons in the relay itself. See *how this is done in section: 2.1 RESETTING PARAMETERS*.

3.2 CONFIGURING ACTIVATION TIMES

Function description.

Configuration of activation times.

- * **Timed:** This allows you to configure the activation time between 1 and 120 seconds in the seconds range and between 1 and 120 minutes in the minute range.
- * **Continued (TOGGLE):** by activating the SET terminal the relay remains permanently activated until deactivated by the RESET terminal.

Timed Function configuration.

1. Press the **On/Off** button, the display will show the **DUOX Relay** and **version**.
2. Via the arrows we select the **1.3.TOGGLE MODE** menu and if the **Toggle mode** (Continued):
 - a) If activated press **Ok**. Via the arrows we select **NO** and press **Ok**.
 - b) If deactivated (**NO**) go directly to point **4.TIMING**.
3. Via the arrows we select the **4. TIMING** menu and press **Ok**.
4. With the arrows we select the range (**minutes or seconds**) and with the number keys we configure the **time**. Once the desired time is configured, press **Ok**.

Note:

The time must be less than 120, if a higher number is entered, we are asked again for a new parameter.

5. Upon turning the programmer off, the time remains configured.

Continued function configuration (TOGGLE).

1. Press the **On/Off** button, the display will show the **Duox Relay** and **version**.
2. Via the arrows we select the **1.3. TOGGLE MODE** menu and press **Ok**.
3. Via the arrows we select **YES** and press **Ok**.
4. Upon turning the programmer off, the time remains configured.

FUNCTIONS

3.3 FUNCTIONS DEPENDING ON OPERATING MODE

3.3.1 TX Operating Mode

- The mode where the relay sends commands to other devices depending on the configured command (in this mode, the relay does not activate the output).
- To access this mode configure the bridge to **TX** mode.

FUNCTIONS:

- Lock-release function after receiving a call.
- Lock-release function to a configured panel.
- Guard-unit call function.
- F1 relay activation or deactivation function.
- F2 relay activation or deactivation function.
- Remote relay activation or deactivation function.
- Doormatic function.

3.3.1.1 LOCK-RELEASE FUNCTION UPON RECEIVING A CALL

Function description.

You can associate the duox relay to a house so that upon calling a home you have 30 seconds, via activation of the Set terminal (button connected between the SET terminals and -) for the Lock-release command to be sent to the panel that last made the call. This way the user does not have to go to the house's terminal to press the lock-release button.

Function configuration.

1. Press the **On/Off** button, the display will show the **Duox Relay** and **version**.
2. Via the arrows we select the **1. COMMAND** menu and press **Ok**.
3. Via the arrows we select the **DOOR OPENING** command and press **Ok**.
4. Via the arrows we select the **2. PANELS** menu and press **Ok**.
5. Via the arrows we select **ALL** and press **Ok**.
6. Via the arrows we select the **3. TERMINALS** menu and press **Ok**.
7. Via the arrows we select **LIST** and press **Ok**.
8. Via the arrows we select the **3.2. TERM LIST** menu and press **Ok**.
9. Via the arrows we select **ADD** and press **Ok**.
10. Via the number buttons we enter the **address** of the telephone we want to assign to the function and press **Ok**.

Note:

*If you want to view the value entered for the **address**, select **3.2 TERM LIST** and press **Ok**. Via the arrows we select **LIST** and press **Ok**.*

11. Upon turning the programmer off, the function remains activated.

Steps to change the terminal assigned the function.

1. Via the arrows we select the **3.2. TERM LIST** menu and press **Ok**.
2. Via the arrows we select **ERASE** and press **Ok**.
3. With the arrows we go through the programmed terminals in the list and with the **Ok** we can delete them. All terminals in the list must be deleted. Once all are deleted, press **ESC**.
4. Repeat steps 9 through 11 to program the new terminal (previous process).

3.3.1.2 LOCK-RELEASE FUNCTION IN A CONFIGURED PANEL

Function description.

You can associate the duox relay to a panel so that the Set terminal (button connected between the SET terminals and -), sends a lock-release command to the configured panel. This function is useful for entrance door buttons far from the street-panel.

Function configuration.

1. Press the **On/Off** button, the display will show the **Duox Relay** and **version**.
2. Via the arrows we select the **1. COMMAND** menu and press **Ok**.
3. Via the arrows we select the **DOOR OPENING** command and press **Ok**.
4. Via the arrows we select the **2. PANELS** menu and press **Ok**.
5. Via the arrows we select **ONE** and press **Ok**.
6. With the arrows we select the type of **panel** we want to configure (Block Panel, Sub-block Panel or general entrance panel) and press **Ok**.

Note:

Depending on the type of panel selected, a different menu is displayed.

7. Via the number buttons we enter the **address** of the panel we want to configure and press **Ok**.
8. Upon turning the programmer off, the function remains activated.

Steps to change the panel assigned the function.

Carry out steps 4 to 8 of the previous process.

3.3.1.3 CALL GUARD UNIT FUNCTION

Function description.

You can install a button for calling the guard unit, and it can be installed far from the phone. Via the terminal Set (button connected between the SET terminals and -), a call to guard unit is made with the configured telephone's original address, and with the configured guard unit as destination.

Function configuration.

1. Press the **On/Off** button, the display will show the **Duox Relay** and **version**.
2. Via the arrows we select the **1. COMMAND** menu and press **Ok**.
3. Via the arrows we select the **CALL TO GUARD** command and press **Ok**.
4. Via the arrows we select the **2.GUARD UNIT** menu and press **Ok**.
5. Via the arrows we select **ONE** and press **Ok**.
6. With the arrows we select the type of **guard unit** we want to configure (Block or general entrance guard unit) and press **Ok**.

Note:

Depending on the type of guard unit selected, a different menu is displayed.

7. Via the number buttons we enter the **address** of the guard unit we want to configure and press **Ok**.
8. Via the arrows we select the **3. TERMINALS** menu and press **Ok**.
9. Via the arrows we select **LIST** and press **Ok**.
10. Via the arrows we select the **3.2. TERM LIST** menu and press **Ok**.
11. Via the arrows we select **ADD** and press **Ok**.
12. Via the number buttons we enter the **address** of the telephone we want to send the call to the guard unit and press **Ok**.

Note:

*If you want to view the value entered for the **address**, select **3.2 TERM LIST** and press **Ok**. Via the arrows we select **LIST** and press **Ok**.*

13. Upon turning the programmer off, the function remains activated.

Steps to change the guard unit assigned the function.

Carry out steps 4 to 7 of the previous process.

Steps to change the terminal assigned the function.

1. Via the arrows we select the **3.2. TERM LIST** menu and press **Ok**.
2. Via the arrows we select **ERASE** and press **Ok**.
3. With the arrows we go through the programmed terminals in the list and with the **Ok** we can delete them. All terminals in the list must be deleted. Once all are deleted, press **ESC**.
4. Repeat steps 10 through 13 to program the new terminal (previous process).

3.3.1.4 ACTIVATE OR DEACTIVATE THE F1 RELAY FUNCTION

Function description.

* First operating mode:

You can activate or deactivate a second remote relay configured as F1 by activating the Set terminal (button connected between the SET and - terminals), in the relay that we are configuring.

For this, the second relay must be configured as described in section: [3.3.2 RX Operating Mode](#), section: [3.3.2.5 ACTIVATING RELAY UPON RECEIVING ACTIVATE F1 RELAY COMMAND](#).

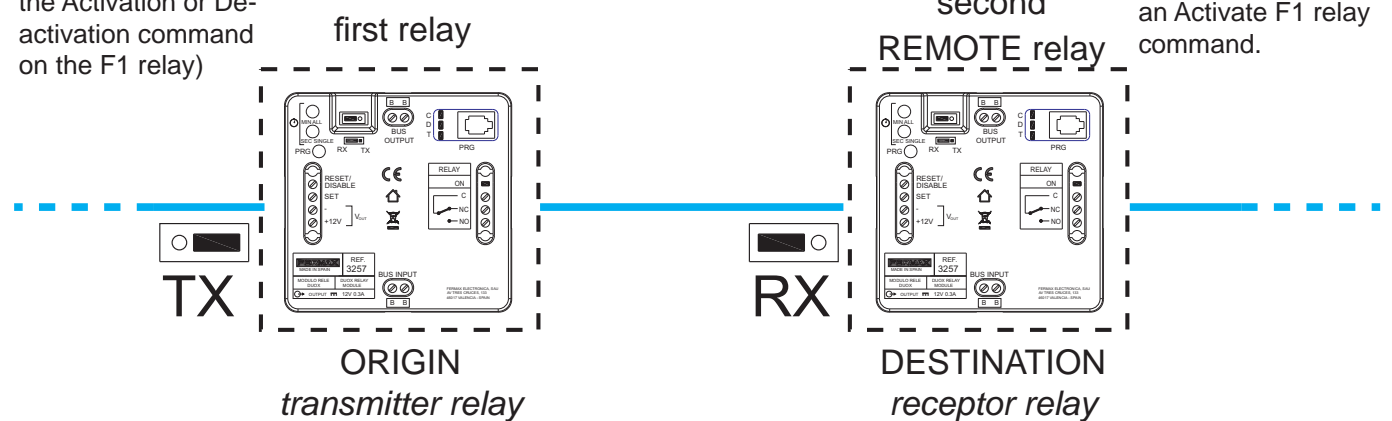
If the relay we are configuring activates the Reset terminal (button connected between the RESET and - terminals), the remote relay configured as F1 is deactivated.

* Second operating mode:

Continued Mode (TOGGLE). If a relay in charge of activating the second remote relay, we activate Continued mode (see: [3.2 CONFIGURATION OF ACTIVATION TIMES](#)), upon activating the Set terminal on the first relay, the second remote relay configured as F1 is activated, and if the Set terminal is deactivated or the Reset terminal on the first relay is activated, the second remote F1 relay is deactivated.

(the one being configured as SEND of the Activation or Deactivation command on the F1 relay)

(configured as Activation or Deactivation upon RECEIVING an Activate F1 relay command.



Function configuration.

1. Press the **On/Off** button, the display will show the **Duox Relay** and **version**.
2. Via the arrows we select the **1. COMMAND** menu and press **Ok**.
3. Via the arrows we select the **F1** command and press **Ok**.
4. Via the arrows we select the **1.2. RELAY BLOCK** menu and press **Ok**.
5. a) Via the number keypad enter the **address of the remote F1 relay's block** we want to activate.
 b) If you press the arrows (up/down) we configure the **remote F1 relay** as **GENERAL ENTRANCE**.
 To end press **Ok**.
6. Upon turning the programmer off, the function remains activated.

If you want to activate the Continued mode (TOGGLE).

1. Via the arrows we select the **1.3. TOGGLE MODE** menu and press **Ok**.
2. Via the arrows we select **YES** or **NO** and press **OK**. If **YES**: the function is activated and **NO**: the function is deactivated.
3. Upon turning the programmer off, the function is configured.

Notes:

- The time and mode (timer/Continued), configured in the relay transmitter does not effect the receptor relay.
 - Local mode (transmitter relay - relay on):
 - * SET ON -> Activates relay.
 - * RESET ON -> Deactivates relay.
 - Continued mode:
- Remote Relay Activation:
- * SET ON -> Activates remote relay.
 - * $\left[\begin{array}{l} \text{SET OFF} \\ \text{RESET ON} \end{array} \right. > \text{Remote Relay deactivation.}$

3.3.1.5 ACTIVATE OR DEACTIVATE THE F2 RELAY FUNCTION

Function description.

* First operating mode:

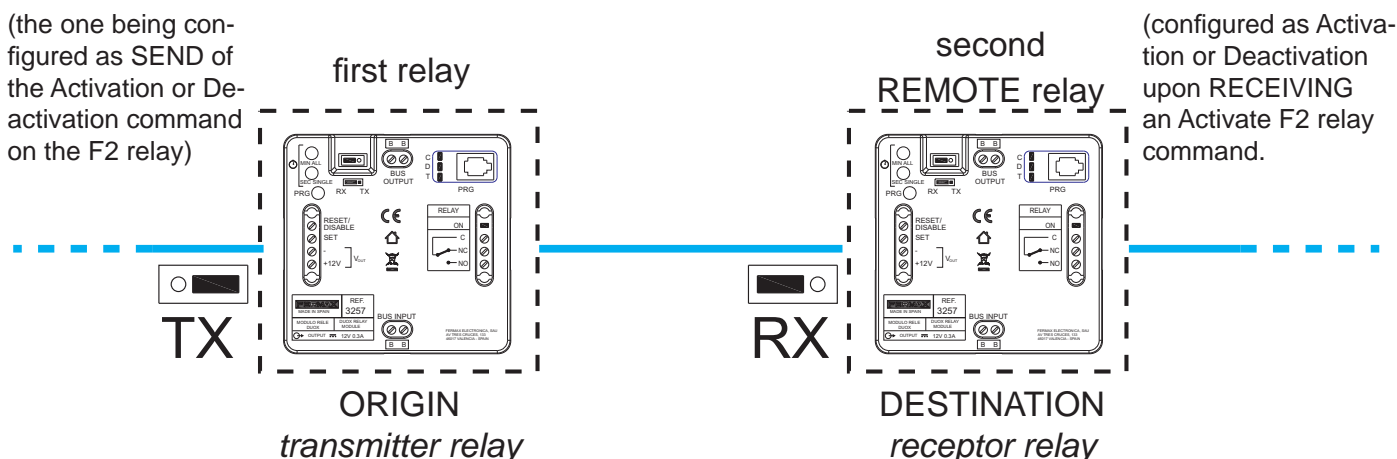
You can activate or deactivate a second remote relay configured as F2 by activating the Set terminal (button connected between the SET and - terminals), in the relay that we are configuring.

For this, the second relay must be configured as described in section: [3.3.2 RX Operating Mode](#), section: [3.3.2.6 ACTIVATING RELAY UPON RECEIVING ACTIVATE F2 RELAY COMMAND](#).

If the relay we are configuring activates the Reset terminal (button connected between the RESET and - terminals), the remote relay configured as F2 is deactivated.

* Second operating mode:

Continued Mode (TOGGLE). If a relay in charge of activating the second remote relay we activate Continued mode (see: [3.2 CONFIGURATION OF ACTIVATION TIMES](#), upon activating the Set terminal on the first relay, the second remote relay configured as F2 is activated, and if the Set terminal is deactivated or the Reset terminal on the first relay is activated, the second remote F2 relay is deactivated.



Function configuration.

1. Press the **On/Off** button, the display will show the **Duox Relay** and **version**.
2. Via the arrows we select the **1. COMMAND** menu and press **Ok**.
3. Via the arrows we select the **F2** command and press **Ok**.
4. Via the arrows we select the **1.2. RELAY BLOCK** menu and press **Ok**.
5. a) Via the number keypad enter the **address of the remote F2 relay's block** we want to activate.
b) If you press the arrows (up/down) we configure the **remote F2 relay** as **GENERAL ENTRANCE**.
To end press **Ok**.
6. Upon turning the programmer off, the function remains activated.

If you want to activate the Continued mode (TOGGLE).

1. Via the arrows we select the **1.3. TOGGLE MODE** menu and press **Ok**.
2. Via the arrows we select **YES** or **NO** and press **OK**. If YES: the function is activated and if NO: the function is deactivated.
3. Upon turning the programmer off, the function is configured.

Notes:

- *The time and mode (timer/Continued), configured in the relay transmitter does not effect the receptor relay.*
- *Local mode (transmitter relay - relay on):*
 - * *SET ON -> Activates relay.*
 - * *RESET ON -> Deactivates relay.*
- *Continued mode:*
- Remote Relay Activation:*
 - * *SET ON -> Activates remote relay.*
 - * $\left[\begin{array}{l} \text{SET OFF} \\ \text{RESET ON} \end{array} \right. > \text{Remote Relay deactivation.}$

3.3.1.6 ACTIVATE OR DEACTIVATE THE REMOTE RELAY FUNCTION

Function description.

* First operating mode:

You can activate or deactivate a second remote relay by activating the Set terminal (button connected between the SET and - terminals), in the relay that we are configuring.

For this, the second relay must be configured as described in section: [3.3.2 RX Operating Mode](#), section: [3.3.2.7 ACTIVATING OR DEACTIVATION OF RELAY UPON RECEIVING ACTIVATE/DEACTIVATE COMMAND](#).

If the relay we are configuring activates the Reset terminal (button connected between the RESET and - terminals), the remote relay is deactivated.

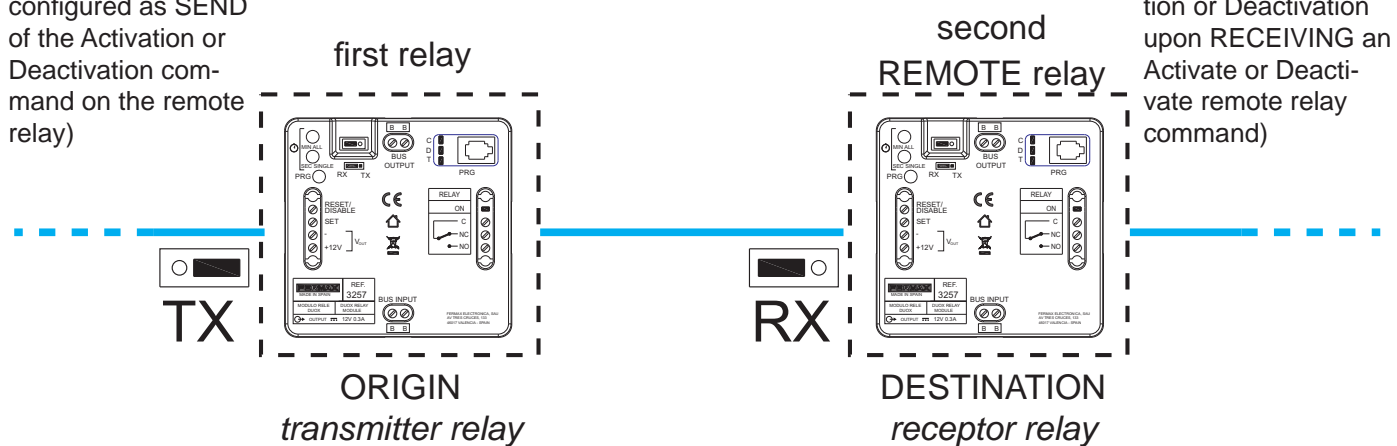
By default, the Continued function is deactivated, so upon activating the **Set** terminal, the remote relay is activated and the Reset terminal deactivates the remote relay.

Note: The time configured in the transmitter relay does not effect the receptor relay.

* Second operating mode:

Continued Mode (TOGGLE). If a relay in charge of activating the second remote relay we activate Continued mode (see: [3.2 CONFIGURATION OF ACTIVATION TIMES](#)), upon activating the Set terminal on the first relay, the second remote relay is activated and if the Set terminal is deactivated or the Reset terminal on the first relay is activated, the second remote relay is deactivated.

(the one being configured as SEND of the Activation or Deactivation command on the remote relay)



Function configuration.

1. Press the **On/Off** button, the display will show the **Duox Relay** and **version**.
2. Via the arrows we select the **1. COMMAND** menu and press **Ok**.
3. Via the arrows we select the **ACTIVATE RELAY** command and press **Ok**.
4. The **REMOTE ADDRESS** message appears
 - a) Via the number keypad enter the **relay's block address** we want to activate **BL** and the address **N** of the **destination relay** that must be between 0 and 999
 - b) If you press the arrows (up/down) we configure the **remote relay** as **GENERAL ENTRANCE**.

To end press **Ok**.

Notes:

- This configuration screen only appears if the jumper is in TX position. If the jumper is in RX when we perform step 4, the previous address of the remote relay (**REMOTE ADDRESS**) is deleted.
- The activation or deactivation function of the remote relay is only executed if the remote relay address is configured.

5. Via the arrows we select the **1.1 RELAY ADDR.** menu and press **Ok**.
6. Via the number pad we enter the relay address we are configuring, which must be between 0 and 999, and once entered press **Ok**.
7. Via the arrows we select the **1.1 RELAY BLOCK** menu and press **Ok**.
8. Via the number pad we enter the **relay block address** we are configuring, which must be between 0 and 99.
 - b) If you press the arrows (up/down) we configure the **relay as GENERAL ENTRANCE**. To end press **Ok**.
9. Upon turning the programmer off, the function remains activated.

Note: Upon activating the Set or Reset, the Relay Activation or Deactivation command is sent to the configured Relay address and block. The origin address will be the same.

If you want to activate the Continued mode (TOGGLE).

1. Via the arrows we select the **1.3. TOGGLE MODE** menu and press **Ok**.
2. Via the arrows we select **YES** or **NO** and press **OK**. If YES: the function is activated and if NO: the function is deactivated.
3. Upon turning the programmer off, the function is configured.

Notes:

- The time and mode (timer/Continued), configured in the relay transmitter does not effect the receptor relay.

- Local mode (transmitter relay - relay on):

* SET ON -> Activates relay.

* RESET ON -> Deactivates relay.

- Continued mode:

Remote Relay Activation:

* SET ON -> Activates remote relay.

* $\left[\begin{array}{l} \text{SET OFF} \\ \text{RESET ON} \end{array} \right. > \text{Remote Relay deactivation.}$

3.3.1.7 DOORMATIC FUNCTION

Function description.

You can add the Doormatic function to a device that does not have it, (ex. the Loft Duox Basic Telephone). When the relay receives the Normal Call command to the configured home, after 5 seconds, it sends the Lock-release command to the last panel that made the call.

Function configuration.

1. Press the **On/Off** button, the display will show the **Duox Relay** and **version**.
2. Via the arrows we select the **1. COMMAND** menu and press **Ok**.
3. Via the arrows we select the **PANEL CALL** command and press **Ok**.
4. Via the arrows we select the **2. PANELS** menu and press **Ok**.
5. Via the arrows we select **ALL** and press **Ok**.
6. Via the arrows we select the **3. TERMINALS** menu and press **Ok**.
7. Via the arrows we select **LIST** and press **Ok**.
8. Via the arrows we select the **3.2. TERM LIST** menu and press **Ok**.
9. Via the arrows we select **ADD** and press **Ok**.
10. Via the number buttons we enter the **address** of the telephone we want to assign to the function and press **Ok**.

Note:

*If you want to view the value entered for the **address**, select **3.2 TERM LIST** and press **Ok**. Via the arrows we select **LIST** and press **Ok**.*

11. Upon turning the programmer off, the function remains activated.

Steps to change the terminal assigned the Doormatic function.

1. Via the arrows we select the **3.2. TERM LIST** menu and press **Ok**.
2. Via the arrows we select **ERASE** and press **Ok**.
3. With the arrows we go through the programmed terminals in the list and with the **Ok** we can delete them. Once deleted, press **ESC**.
4. Repeat steps 9 through 11 to program the new terminal (previous process).

Notes:

- *This function only works with one terminal address. If you need to configure terminals configured as "ALL," it will not attend to any terminal address.*

3.3.2 RX Operating Mode

- The mode where the relay activates the output and the configured command is received and coincides with the other configured parameters.
- To access this mode configure the bridge to **RX** mode.

FUNCTIONS:

- Activating relay upon receiving the lock-release command
- Activation upon receiving a call to residence command from a panel.
- Activation of the relay upon receiving a guard-unit call command.
- Activating of the relay upon receiving a auto-start command.
- Activation of the relay upon receiving an Activate F1 relay command.
- Activation of the relay upon receiving an Activate F2 relay command.
- Activation of the relay upon receiving an Activate/Deactivate command.

Note:

- *Whenever terminals from different blocks are required to activate the same relay, it must be configured as General Entrance.*

3.3.2.1 ACTIVATION OF THE RELAY UPON RECEIVING A LOCK-RELEASE COMMAND

Function description.

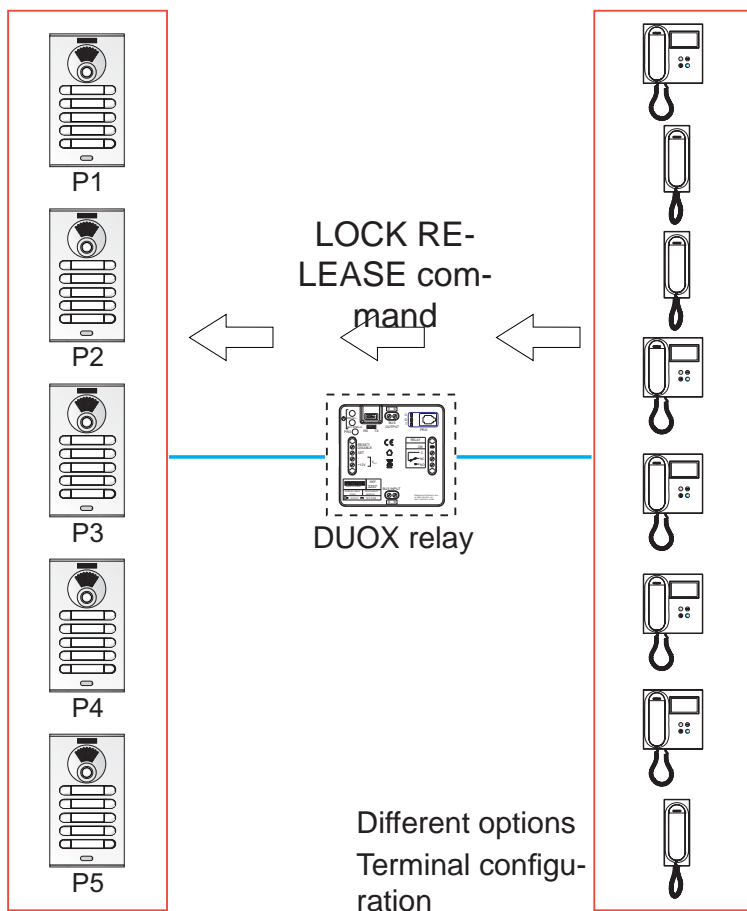
You can configure the relay to activate upon receiving a **Lock-release** command from residence terminals.

The residence terminals send the lock-release command to the panel upon pressing the lock-release button. The relay, if configured this way, can be activated upon receiving the lock-release command. The residence terminals can send the lock-release command to a specific panel or to all panels in the installation, understanding that this command is sent individually to each of them.

- The lock-release command, relative to the **residence terminals** sending them can be configured as:
 - * All installed terminals (ALL).
 - * Terminals from a list (maximum 100 terminals).
 - * Terminals included within a defined range (consecutive).
- The lock-release command, relative to the **panels** receiving them can be configured as:
 - * All panels (they individually receive each command, not all in the group).
*For example: In the installation the panels are P1, P2, P3, P4 and P5. The residence terminal can open the door of Panel P1 or Panel P2 or Panel P3 or Panel P4 or Panel P5. Upon configuring the lock-release command in **All the panels**, any time any panel receives it the relay is activated.*
 - * Only one panel.
*For example: In the installation the panels are P1, P2, P3, P4 and P5. The residence terminal can open the door of Panel P1 or Panel P2 or Panel P3 or Panel P4 or Panel P5. Upon configuring the lock-release command in **a single panel**, for example, Panel P4, only when Panel P4 receives the command is the relay activated.*

DESTINATION

ORIGIN



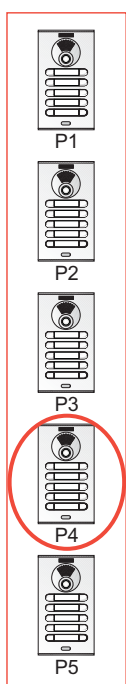
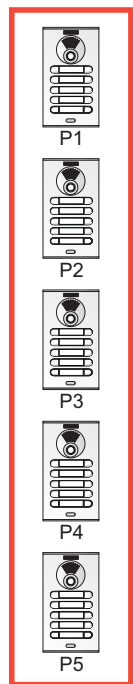
Different options
Panel configuration

Different options
Terminal configuration

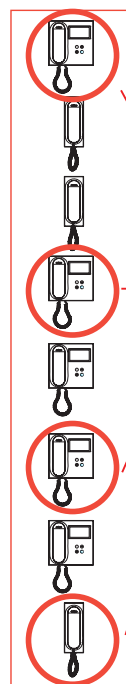
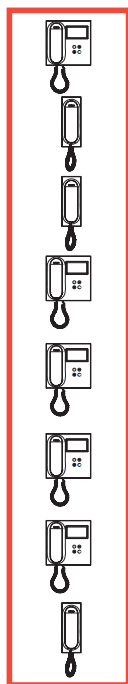
All the panels

All the terminals

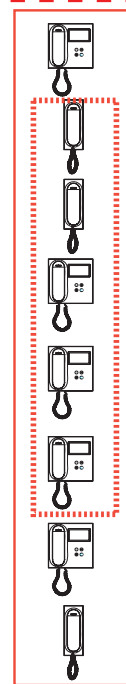
A range of terminals



One panel



Terminals from a list



Function configuration.

First step: Configure the command and panel.

1. Press the **On/Off** button, the display will show the **Duox Relay** and **version**.
 2. Via the arrows we select the **1. COMMAND** menu and press **Ok**.
 3. Via the arrows we select the **DOOR OPENING** command and press **Ok**.
 4. Via the arrows we select the **2. PANELS** menu and press **Ok**.
 5. Via the arrows we select **ALL** and press **Ok**.
 6. a) If we want the relay to activate with the Lock-release command with the destination being **all panels** with the arrows we select **ALL** and press **Ok**.
 a) If we want the relay to activate with the Lock-release command with the destination being a specific **panel** with the arrows we select **ONE** and press **Ok**.
 With the arrows we select the type of **panel** we want to configure (Block Panel, Sub-block Panel or general entrance panel) and press **Ok**.
- Note:**
Depending on the type of panel selected, a different menu is displayed.
7. Via the number buttons we enter the **address** of the panel we want to configure and press **Ok**.

Second step: Configuration of the command's origin (residence terminals).

The lock-release command, relative to the **residence terminals** sending them can be configured as:

- a) All installed terminals (ALL).
- b) Terminals from a list (maximum 100 terminals).
- c) Terminals included within a defined range (consecutive).

a) Configuration: All installed terminals (ALL).

1. Via the arrows we select the **3. TERMINALS** menu and press **Ok**.
2. Via the arrows we select **ALL** and press **Ok**.
3. Upon turning the programmer off, the function is configured.

b) Configuration: Terminals in a list (maximum 100 terminals).

1. Via the arrows we select the **3. TERMINALS** menu and press **Ok**.
2. Via the arrows we select **LIST** and press **Ok**.
3. Via the arrows we select the **3.2. TERM LIST** menu and press **Ok**.
4. Via the arrows we select **ADD** and press **Ok**.
5. Via the number buttons we enter the **address** of the terminal we want to add and press **Ok**.

Notes:

- If you want to view the value entered for the **address**, select the **3.2 TERM LIST** menu and press **Ok**. Via the arrows we select **LIST** and press **Ok**.
 - If we want to **delete** a terminal from the list, select the **3.2 TERM LIST** menu. Via the arrows we select **ERASE** and press **Ok**. Via the arrows, select the terminal to delete and press **Ok**.
6. Upon turning the programmer off, the function is configured.

Note:

- When the list is complete (100 terminals), the **Relay On** led flashes quickly.

c) Configuration: Terminals included within a defined range (consecutive).

1. Via the arrows we select the **3. TERMINALS** menu and press **Ok**.
2. Via the arrows we select **RANGE** and press **Ok**.
3. Via the arrows we select the **3.1. RANGE START** menu and press **Ok**.
4. Via the numeric keypad, enter the **first address in the range** and press **Ok**.
5. Via the arrows we select the **3.1. RANGE END** menu and press **Ok**.
6. Via the numeric keypad, enter the **last address in the range** and press **Ok**.

Note:

The last address should be greater than the first one.

7. Upon turning the programmer off, the function is configured.

Third step: Configuration of the activation time.

To configure the activation time, follow point: [3.2 CONFIGURING ACTIVATION TIMES](#)

3.3.2.2 ACTIVATION OF THE RELAY UPON RECEIVING A CALL TO RESIDENCE COMMAND FROM A STREET PANEL .

Function description.

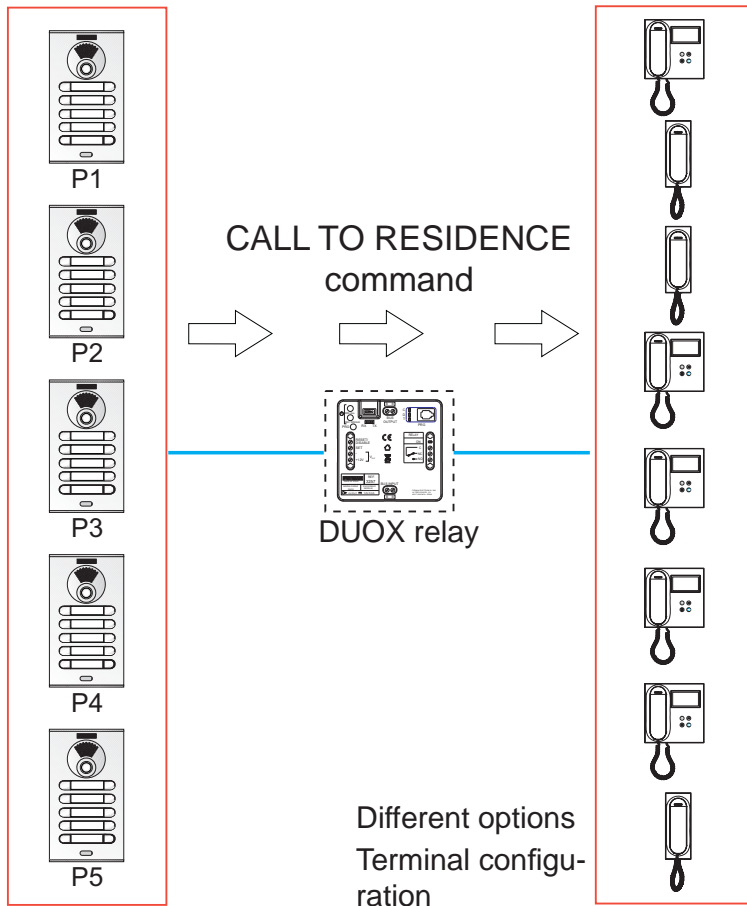
You can configure the relay to activate upon receiving a **call to residence** command from a panel.

The panel, upon making a call, sends a call to residence command to the residence's terminal (or terminals). The relay, if configured this way, can activate upon receiving the call residence command. The residence terminals can receive the call to residence command from a specific panel or from all panels in the installation, understanding that this command is sent individually to each terminal.

- The call to residence command, relative to the **residence terminals** receiving them can be configured as:
 - * All installed terminals (ALL).
 - * Terminals from a list (maximum 100 terminals).
 - * Terminals included within a defined range (consecutive).
- The call to residence command, relative to the **panels** sending them can be configured as:
 - * All panels (they individually send each command, not all in the group).
*For example: In the installation the panels are P1, P2, P3, P4 and P5. The residence terminal can receive a call from Panel P1 or Panel P2 or Panel P3 or Panel P4 or Panel P5. Upon configuring the call to residence command in **All panels**, the relay is activated when the call to residence command is sent from any panel.*
 - * Only one panel.
*For example: In the installation the panels are P1, P2, P3, P4 and P5. The residence terminal can receive a call from Panel P1 or Panel P2 or Panel P3 or Panel P4 or Panel P5. Upon configuring the call to residence command in **a single panel**, for example, Panel P4, only when Panel P4 sends the call to residence command is the relay activated.*

ORIGIN

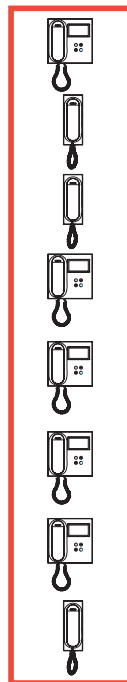
DESTINATION



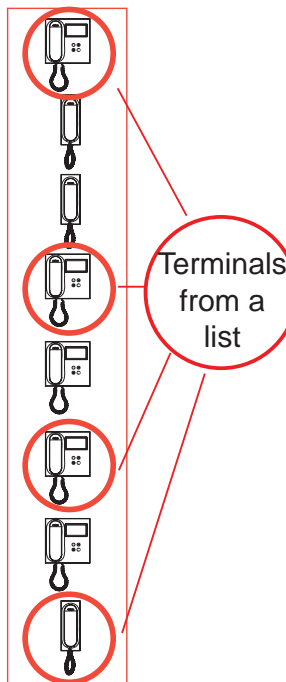
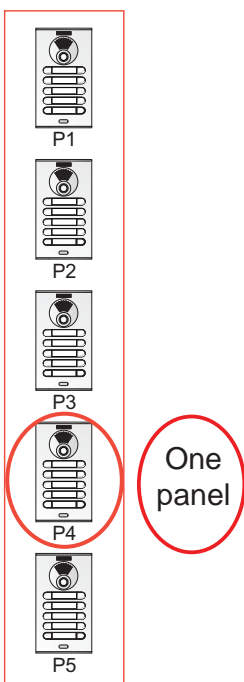
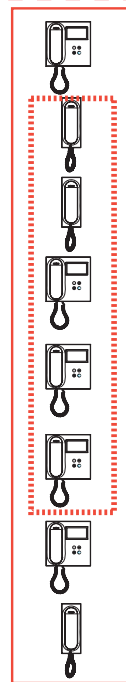
All the panels



All the terminals



A range of terminals



Function configuration.

First step: Configure the command and panel.

1. Press the **On/Off** button, the display will show the **Duox Relay** and **version**.
2. Via the arrows we select the **1. COMMAND** menu and press **Ok**.
3. Via the arrows we select the **PANEL CALL** command and press **Ok**.
4. Via the arrows we select the **2. PANELS** menu and press **Ok**.
5. Via the arrows we select **ALL** and press **Ok**.
6. a) If we want the relay to activate with the call to residence command from **all panels** with the arrows we select **ALL** and press **Ok**.
 - a) If we want the relay to activate with the Call to residence command from one specific **panel** with the arrows we select **ONE** and press **Ok**.
With the arrows we select the type of **panel** we want to configure (Block Panel, Sub-block Panel or general entrance panel) .

Note:
Depending on the type of panel selected, a different menu is displayed.
7. Via the number buttons we enter the **address** of the panel we want to configure and press **Ok**.

Second step: Configuration of the command's destination (residence terminals).

The call to residence command, relative to the **residence terminals** receiving them can be configured as:

- a) All installed terminals (ALL).
- b) Terminals from a list (maximum 100 terminals).
- c) Terminals included within a defined range (consecutive).

a) Configuration: All installed terminals (ALL).

1. Via the arrows we select the **3. TERMINALS** menu and press **Ok**.
2. Via the arrows we select **ALL** and press **Ok**.
3. Upon turning the programmer off, the function is configured.

b) Configuration: Terminals in a list (maximum 100 terminals).

1. Via the arrows we select the **3. TERMINALS** menu and press **Ok**.
2. Via the arrows we select **LIST** and press **Ok**.
3. Via the arrows we select the **3.2. TERM LIST** menu and press **Ok**.
4. Via the arrows we select **ADD** and press **Ok**.
5. Via the number buttons we enter the **address** of the telephone we want to add and press **Ok**.

Notes:

- If you want to view the value entered for the **address**, select the **3.2 TERM LIST** menu and press **Ok**. Via the arrows we select **LIST** and press **Ok**.
 - If we want to **delete** a terminal from the list, select the **3.2 TERM LIST** menu. Via the arrows we select **ERASE** and press **Ok**. Via the arrows, select the terminal to delete and press **Ok**.
6. Upon turning the programmer off, the function is configured.

Note:

- When the list is complete (100 terminals), the **Relay On** led flashes quickly.

c) Configuration: Terminals included within a defined range (consecutive).

1. Via the arrows we select the **3. TERMINALS** menu and press **Ok**.
2. Via the arrows we select **RANGE** and press **Ok**.
3. Via the arrows we select the **3.1. RANGE START** menu and press **Ok**.
4. Via the numeric keypad, enter the **first address in the range** and press **Ok**.
5. Via the arrows we select the **3.1. RANGE END** menu and press **Ok**.
6. Via the numeric keypad, enter the **last address in the range** and press **Ok**.

Note:

The last address should be greater than the first one.

7. Upon turning the programmer off, the function is configured.

Third step: Configuration of the activation time.

To configure the activation time, follow point: [3.2 CONFIGURING ACTIVATION TIMES](#)

3.3.2.3 ACTIVATING THE RELAY UPON RECEIVING A CALL TO GUARD UNIT COMMAND**Function description.**

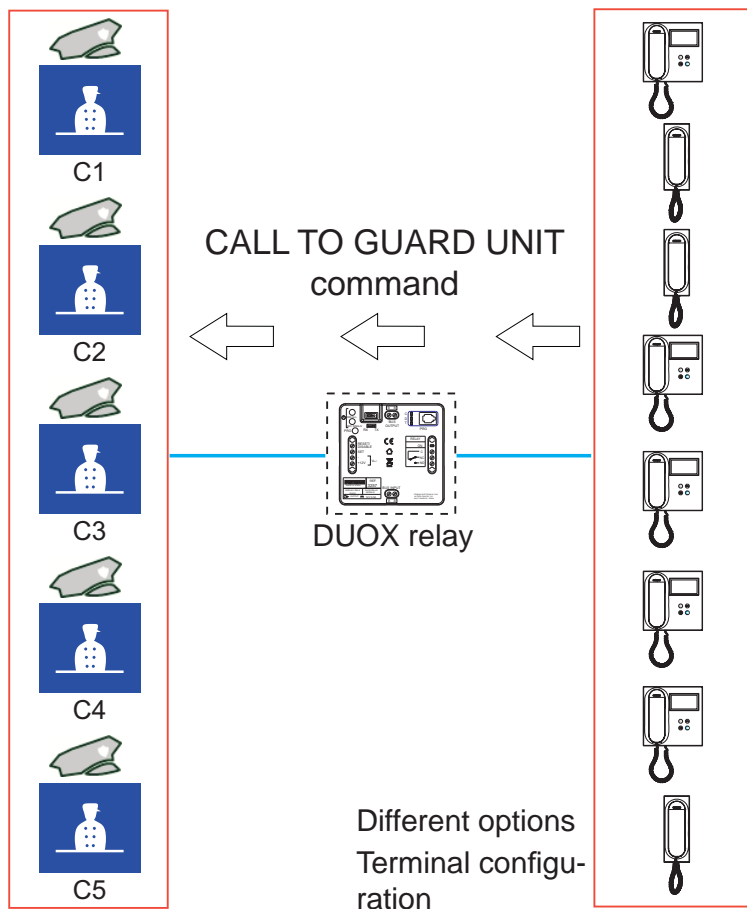
You can configure the relay to activate upon receiving a **Call to guard unit** command from residence terminals.

The residence terminals send the lock-release command to the panel upon pressing the lock-release button (in stand-by). The relay, if configured this way, can activate upon receiving the call guard unit command. The residence terminals can send the call guard unit command to a specific guard unit or to all guard units in the installation, understanding that this command is sent individually to each of them.

- The call to guard unit command, relative to the **residence terminals** sending them can be configured as:
 - * All installed terminals (ALL).
 - * Terminals from a list (maximum 100 terminals).
 - * Terminals included within a defined range (consecutive).
- The call to guard unit command, relative to the **guard units** receiving them can be configured as:
 - * All guard units (they individually receive each command, not all in the group).
*For example: In the installation there are guard units C1, C2, C3, C4 and C5. The residence terminal can call Guard unit C1 or Guard unit C2 or Guard unit C3 or Guard unit C4 or Guard unit C5. Upon configuring the call to guard unit command in **All the guard units**, any time any guard unit receives it the relay is activated.*
 - * Only one guard unit.
*For example: In the installation there are guard units C1, C2, C3, C4 and C5. The residence terminal can call Guard unit C1 or Guard unit C2 or Guard unit C3 or Guard unit C4 or Guard unit C5. Upon configuring the call guard unit command in **a single guard unit**, for example, Guard unit C4, only when Guard unit C4 receives the call guard unit command is the relay activated.*

DESTINATION

ORIGIN



Different options
Guard Unit con-
figuration

Different options
Terminal configu-
ration

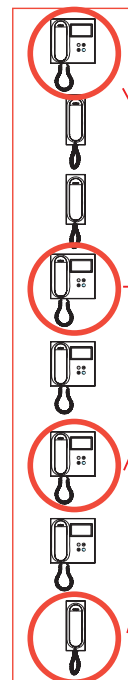
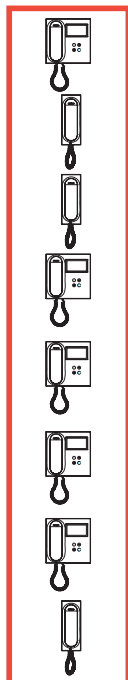
All the
guard units

All the
terminals

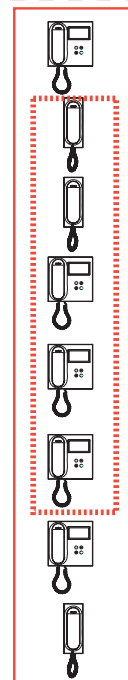
A range of
terminals



One guard
unit



Terminals
from a
list



Function configuration.

First step: Configure the command and guard unit.

1. Press the **On/Off** button, the display will show the **Duox Relay** and **version**.
 2. Via the arrows we select the **1. COMMAND** menu and press **Ok**.
 3. Via the arrows we select the **CALL TO GUARD** command and press **Ok**.
 4. Via the arrows we select the **2.GUARD UNIT** menu and press **Ok**.
 5. a) If we want the relay to activate with the call to guard unit command destined to **all guard units** with the arrows we select **ALL** and press **Ok**.
 - a) If we want the relay to activate with the Call to guard units command from one specific **guard unit** with the arrows we select **ONE** and press **Ok**.
With the arrows we select the type of **guard unit** we want to configure (Block or general entrance guard unit).
- Note:**
Depending on the type of guard unit selected, a different menu is displayed.
6. Via the number buttons we enter the **address** of the guard unit we want to assign this function and press **Ok**.

Second step: Configuration of the command's origin (residence terminals).

The call to residence command, relative to the **residence terminals** sending them can be configured as:

- a) All installed terminals (ALL).
- b) Terminals from a list (maximum 100 terminals).
- c) Terminals included within a defined range (consecutive).

a) Configuration: All installed terminals (ALL).

1. Via the arrows we select the **3. TERMINALS** menu and press **Ok**.
2. Via the arrows we select **ALL** and press **Ok**.
3. Upon turning the programmer off, the function is configured.

b) Configuration: Terminals in a list (maximum 100 terminals).

1. Via the arrows we select the **3. TERMINALS** menu and press **Ok**.
2. Via the arrows we select **LIST** and press **Ok**.
3. Via the arrows we select the **3.2. TERM LIST** menu and press **Ok**.
4. Via the arrows we select **ADD** and press **Ok**.
5. Via the number buttons we enter the **address** of the terminal we want to add and press **Ok**.

Notes:

- If you want to view the value entered for the **address**, select the **3.2 TERM LIST** menu and press **Ok**. Via the arrows we select **LIST** and press **Ok**.
- If we want to **delete** a terminal from the list, select the **3.2 TERM LIST** menu. Via the arrows we select **ERASE** and press **Ok**. Via the arrows, select the terminal to delete and press **Ok**.

6. Upon turning the programmer off, the function is configured.

Note:

- When the list is complete (100 terminals), the **Relay On** led flashes quickly.

c) Configuration: Terminals included within a defined range (consecutive).

1. Via the arrows we select the **3. TERMINALS** menu and press **Ok**.
2. Via the arrows we select **RANGE** and press **Ok**.
3. Via the arrows we select the **3.1. RANGE START** menu and press **Ok**.
4. Via the numeric keypad, enter the **first address in the range** and press **Ok**.
5. Via the arrows we select the **3.1. RANGE END** menu and press **Ok**.
6. Via the numeric keypad, enter the **last address in the range** and press **Ok**.

Note:

The last address should be greater than the first one.

7. Upon turning the programmer off, the function is configured.

Third step: Configuration of the activation time.

To configure the activation time, follow point: [3.2 CONFIGURING ACTIVATION TIMES](#)

3.3.2.4 ACTIVATION OF THE RELAY UPON RECEIVING AUTO-START COMMAND

Function description.

You can configure the relay to activate upon receiving an **Auto-start** command from residence terminals.

In Duox installations the Auto-start is performed from the residence terminals with:

- Panel 0 of its own block, if audio terminals.
- Via a selection menu with Panel 0 or Panel 1 of the same block, or with Panel 0 of the General Entrance, if for video terminals.

Note:

- *The auto-start command is done on all panels (understanding that this command is sent individually to each of them), there is no option for auto-start on a specific panel (within the panels in which auto-start can be performed).*

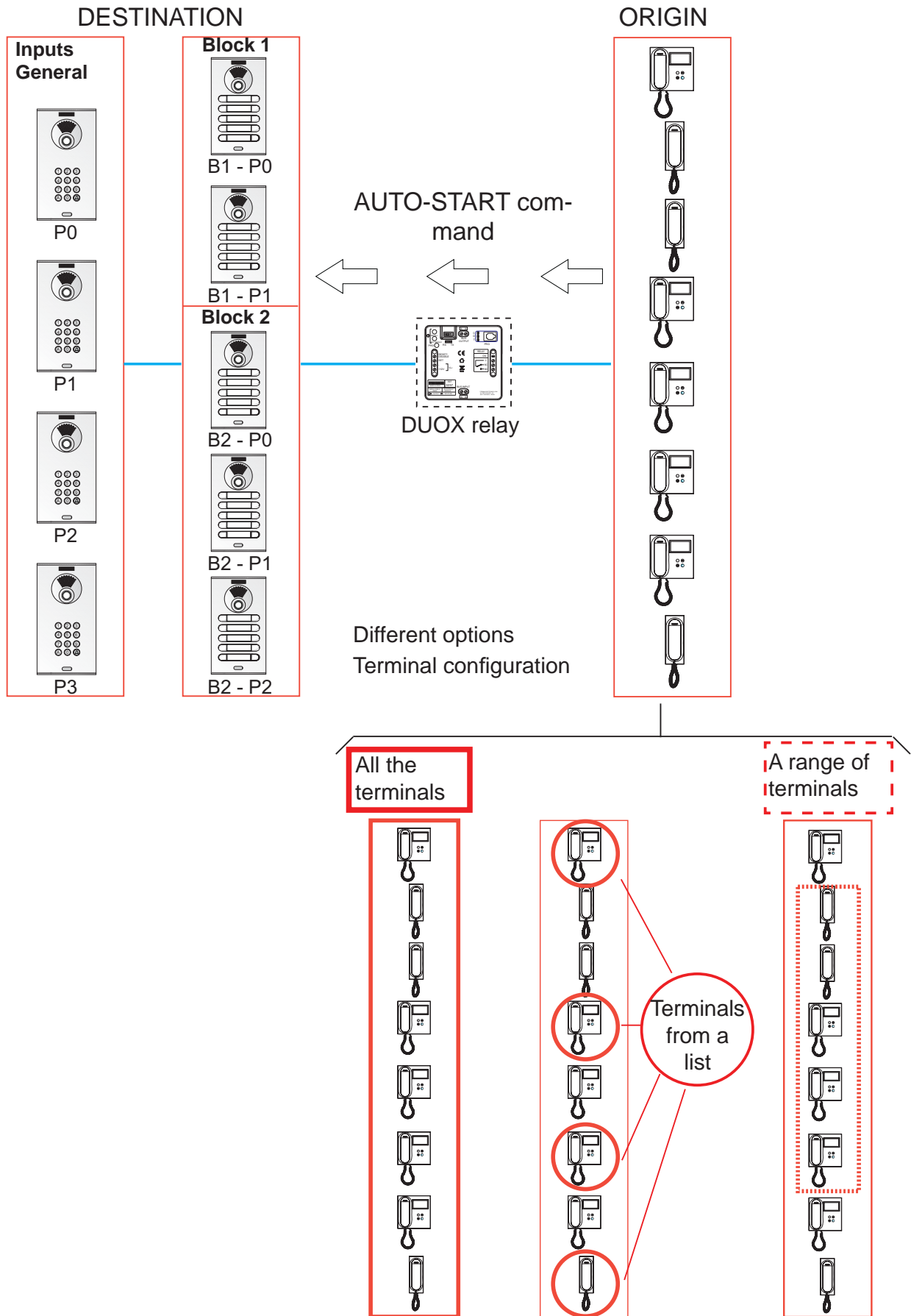
The residence terminals (whether audio or video) send the auto-start command to the panel. The relay, if configured this way, can be activated upon receiving the auto-start command.

- The auto-start command, relative to the **residence terminals** sending them can be configured as:

- * All installed terminals (ALL).
- * Terminals from a list (maximum 100 terminals).
- * Terminals included within a defined range (consecutive).

- The lock-release command, relative to the **panels** receiving them can act on:

- * All panels (they individually receive each command, not all in the group).



Function configuration.

First step: Configure the command and panel.

1. Press the **On/Off** button, the display will show the **Duox Relay** and **version**.
2. Via the arrows we select the **1. COMMAND** menu and press **Ok**.
3. Via the arrows we select the **AUTO ON** command and press **Ok**.

Second step: Configuration of the command's origin (residence terminals).

The lock-release command, relative to the **residence terminals** sending them can be configured as:

- a) All installed terminals (ALL).
- b) Terminals from a list (maximum 100 terminals).
- c) Terminals included within a defined range (consecutive).

a) Configuration: All installed terminals (ALL).

1. Via the arrows we select the **3. TERMINALS** menu and press **Ok**.
2. Via the arrows we select **ALL** and press **Ok**.
3. Upon turning the programmer off, the function is configured.

b) Configuration: Terminals in a list (maximum 100 terminals).

1. Via the arrows we select the **3. TERMINALS** menu and press **Ok**.
2. Via the arrows we select **LIST** and press **Ok**.
3. Via the arrows we select the **3.2. TERM LIST** menu and press **Ok**.
4. Via the arrows we select **ADD** and press **Ok**.
5. Via the number buttons we enter the **address** of the terminal we want to add and press **Ok**.

Notes:

- If you want to view the value entered for the **address**, select the **3.2 TERM LIST** menu and press **Ok**. Via the arrows we select **LIST** and press **Ok**.
- If we want to **delete** a terminal from the list, select the **3.2 TERM LIST** menu. Via the arrows we select **ERASE** and press **Ok**. Via the arrows, select the terminal to delete and press **Ok**.

6. Upon turning the programmer off, the function is configured.

Note:

- When the list is complete (100 terminals), the **Relay On** led flashes quickly.

c) Configuration: Terminals included within a defined range (consecutive).

1. Via the arrows we select the **3. TERMINALS** menu and press **Ok**.
2. Via the arrows we select **RANGE** and press **Ok**.
3. Via the arrows we select the **3.1. RANGE START** menu and press **Ok**.
4. Via the numeric keypad, enter the **first address in the range** and press **Ok**.
5. Via the arrows we select the **3.1. RANGE END** menu and press **Ok**.
6. Via the numeric keypad, enter the **last address in the range** and press **Ok**.

Note:

- The last address should be greater than the first one.*

7. Upon turning the programmer off, the function is configured.

Third step: Configuration of the activation time.

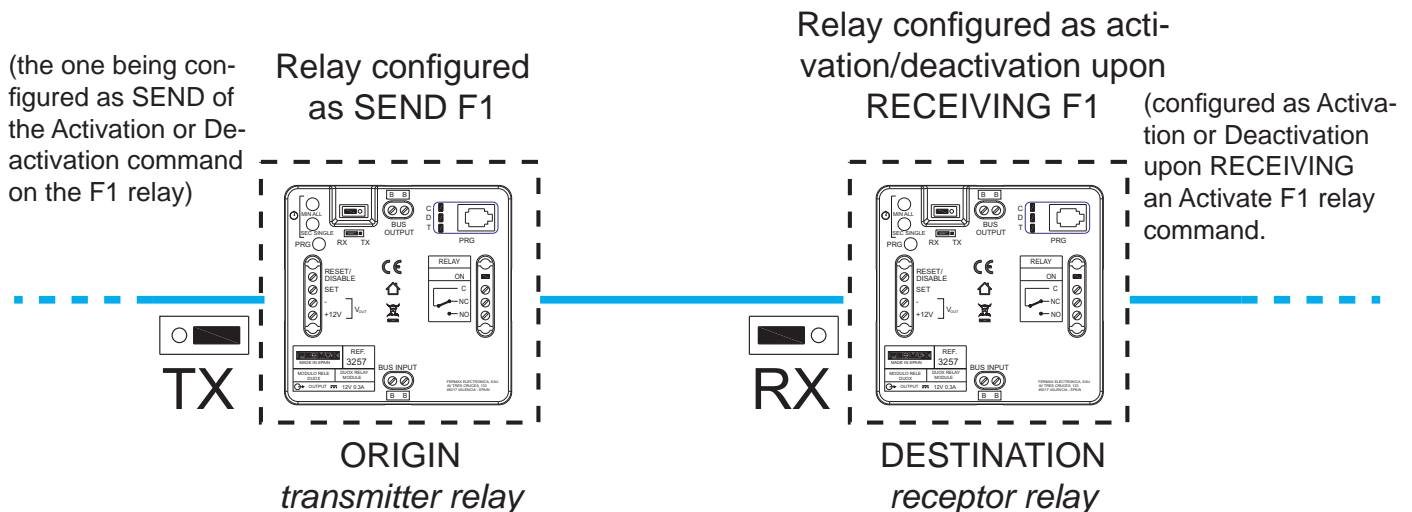
To configure the activation time, follow point: [3.2 CONFIGURING ACTIVATION TIMES](#)

3.3.2.5 ACTIVATING OR DEACTIVATING THE RELAY UPON RECEIVING AN ACTIVATE F1 RELAY COMMAND

Function description.

You can configure the relay to activate or deactivate upon receiving the activate or deactivate the F1 relay command:

- a) Transmitted by a phone or
- b) Transmitted by a duox relay configured as explained in chapter: [3.3.1. TX Operating mode section 3.3.1.4 ACTIVATION OR DEACTIVATION FUNCTION OF F1 RELAY.](#)

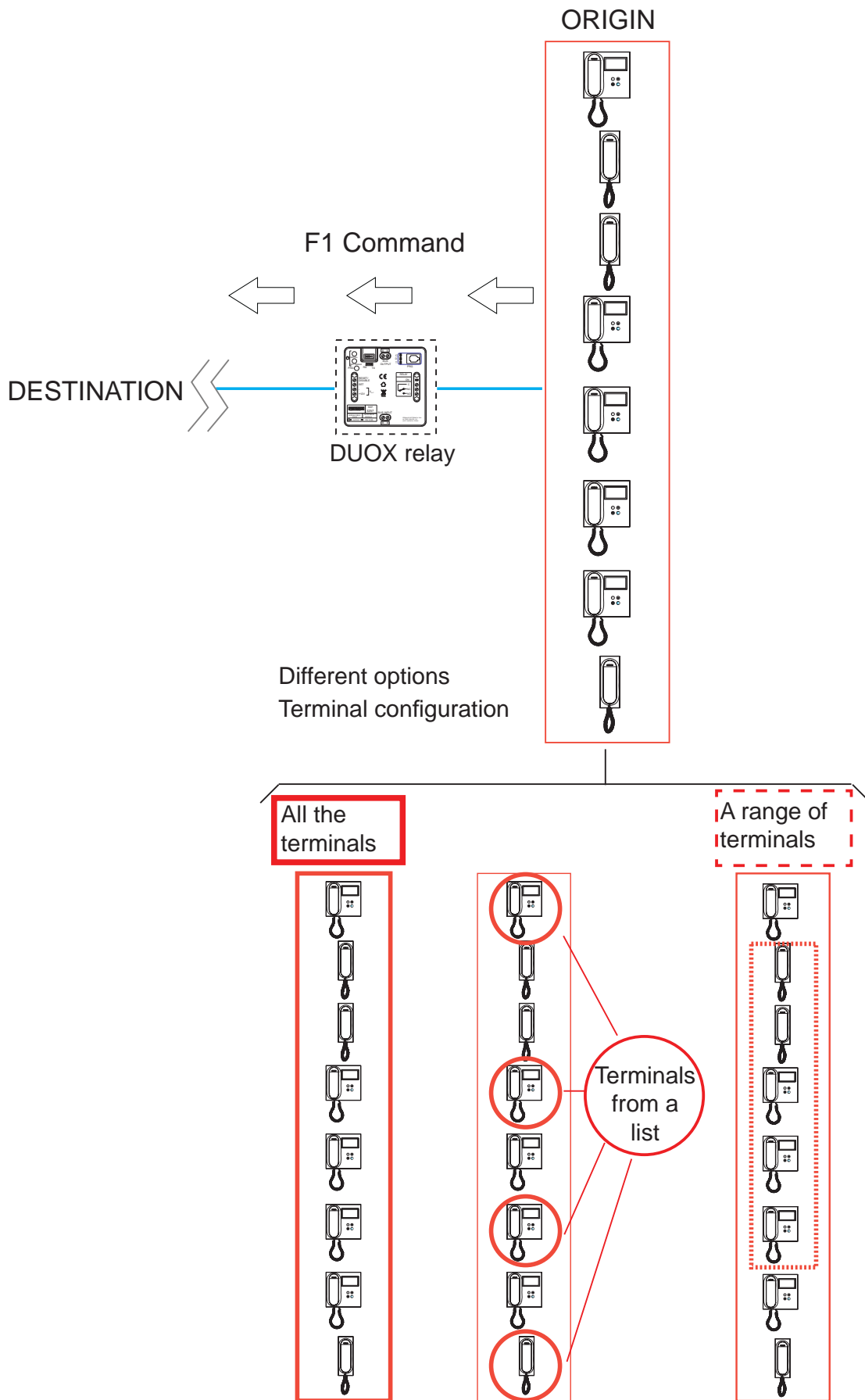


a) F1 transmitted by a phone

The residence terminals must have an F1 button to send the F1 command, (for example, the loft duox extra phone).

Upon pressing the F1 button on the phone, it sends the F1 command. The relay, if configured this way, can be activated upon receiving the command.

- The F1 command, relative to the **residence terminals** sending them can be configured as:
 - * All installed terminals (ALL).
 - * Terminals from a list (maximum 100 terminals).
 - * Terminals included within a defined range (consecutive).



Function configuration.

First step: Configuration of commands.

1. Press the **On/Off** button, the display will show the **Duox Relay** and **version**.
2. Via the arrows we select the **1. COMMAND** menu and press **Ok**.
3. Via the arrows we select the **F1** command and press **Ok**.

Second step: Configuration of the command's origin (residence terminals).

The F1 command, relative to the **residence terminals** sending them can be configured as:

- a) All installed terminals (ALL).
- b) Terminals from a list (maximum 100 terminals).
- c) Terminals included within a defined range (consecutive).

a) Configuration: All installed terminals (ALL).

1. Via the arrows we select the **3. TERMINALS** menu and press **Ok**.
2. Via the arrows we select **ALL** and press **Ok**.
3. Upon turning the programmer off, the function is configured.

b) Configuration: Terminals in a list (maximum 100 terminals).

1. Via the arrows we select the **3. TERMINALS** menu and press **Ok**.
2. Via the arrows we select **LIST** and press **Ok**.
3. Via the arrows we select the **3.2. TERM LIST** menu and press **Ok**.
4. Via the arrows we select **ADD** and press **Ok**.
5. Via the number buttons we enter the **address** of the terminal we want to add and press **Ok**.

Notes:

- If you want to view the value entered for the **address**, select the **3.2 TERM LIST** menu and press **Ok**. Via the arrows we select **LIST** and press **Ok**.

- If we want to **delete** a terminal from the list, select the **3.2 TERM LIST** menu. Via the arrows we select **ERASE** and press **Ok**. Via the arrows, select the terminal to delete and press **Ok**.

6. Upon turning the programmer off, the function is configured.

Note:

- When the list is complete (100 terminals), the **Relay On** led flashes quickly.

c) Configuration: Terminals included within a defined range (consecutive).

1. Via the arrows we select the **3. TERMINALS** menu and press **Ok**.
2. Via the arrows we select **RANGE** and press **Ok**.
3. Via the arrows we select the **3.1. RANGE START** menu and press **Ok**.
4. Via the numeric keypad, enter the **first address in the range** and press **Ok**.
5. Via the arrows we select the **3.1. RANGE END** menu and press **Ok**.
6. Via the numeric keypad, enter the **last address in the range** and press **Ok**.

Note:

The last address should be greater than the first one.

7. Upon turning the programmer off, the function is configured.

Third step: Configuration of the activation time.

To configure the activation time, follow point: [3.2 CONFIGURING ACTIVATION TIMES](#)

3.3.2.6 ACTIVATING OR DEACTIVATING THE RELAY UPON RECEIVING AN ACTIVATE F2 RELAY COMMAND

Function description.

You can configure the relay to activate or deactivate upon receiving the activate or deactivate the F2 relay:

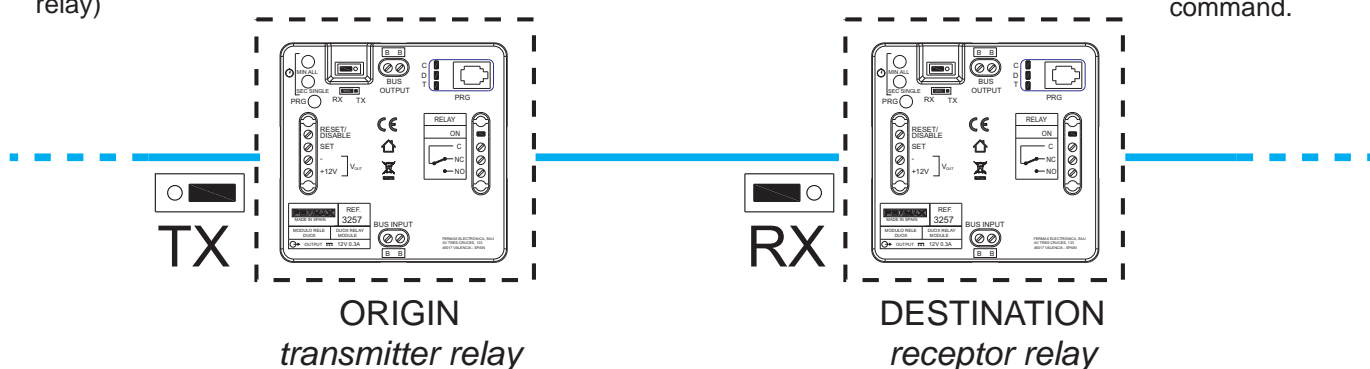
- Transmitted by a phone or
- Transmitted by a duox relay configured as explained in chapter: [3.3.1. TX Operating mode](#), section [3.3.1.5 ACTIVATE OR DEACTIVATE THE F2 RELAY FUNCTION](#).

(the relay being configured as SEND of the Activation or Deactivation command on the F2 relay)

Relay configured as SEND F2

Relay configured as activation/deactivation upon RECEIVING F2

(configured as Activation or Deactivation upon RECEIVING an Activate F2 relay command.



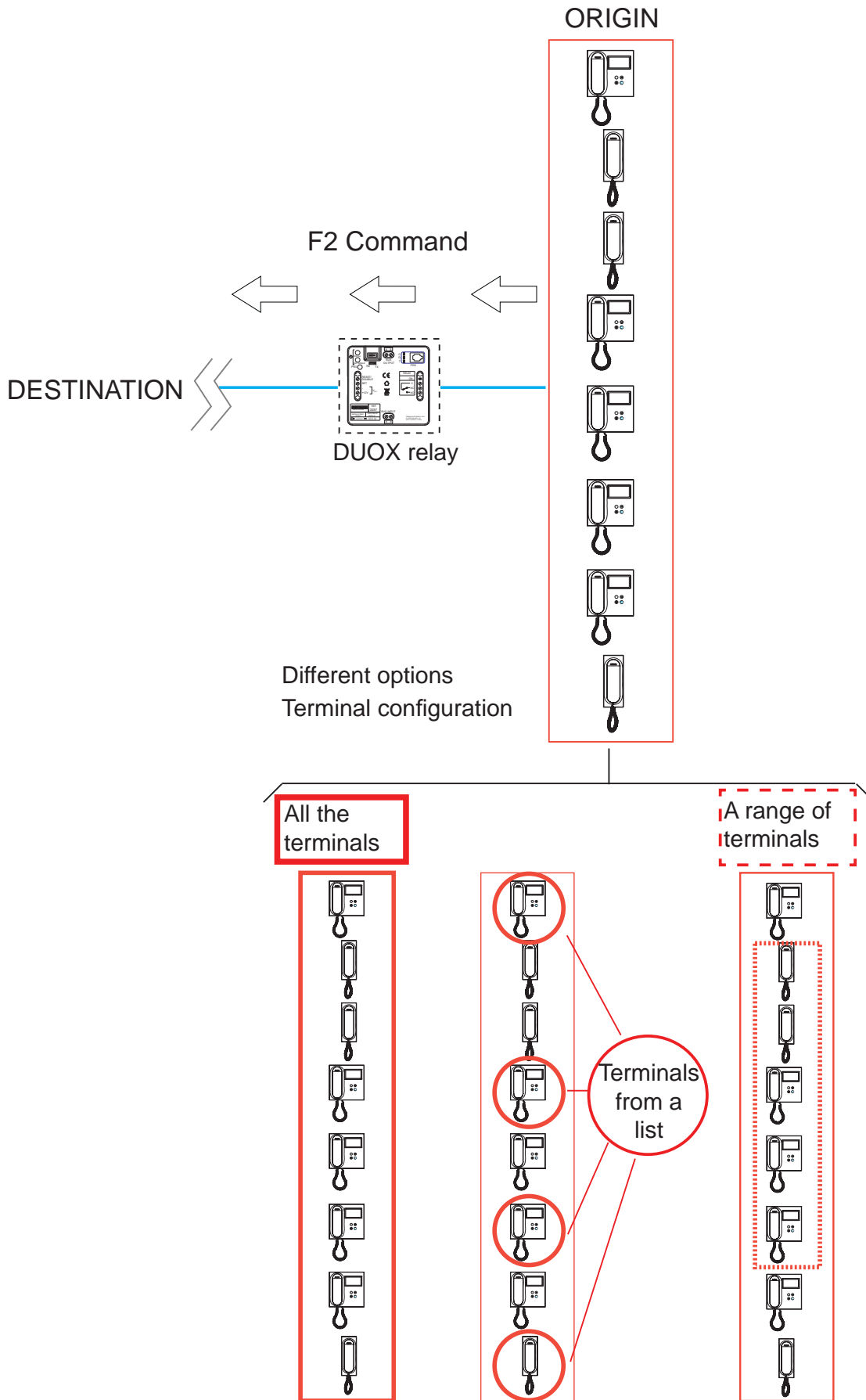
a) F2 transmitted by a phone

The residence terminals must have an F2 button to send the F2 command, (for example, the loft duox extra phone).

Upon pressing the F2 button on the telephone, the F2 command is sent. The relay, if configured this way, can be activated upon receiving the command.

- The F2 command, relative to the **residence terminals** sending them can be configured as:

- * All installed terminals (ALL).
- * Terminals from a list (maximum 100 terminals).
- * Terminals included within a defined range (consecutive).



Function configuration.

First step: Configuration of commands.

1. Press the **On/Off** button, the display will show the **Duox Relay** and **version**.
2. Via the arrows we select the **1. COMMAND** menu and press **Ok**.
3. Via the arrows we select the **F2** command and press **Ok**.

Second step: Configuration of the command's origin (residence terminals).

The F2 command, relative to the **residence terminals** sending them can be configured as:

- a) All installed terminals (ALL).
- b) Terminals from a list (maximum 100 terminals).
- c) Terminals included within a defined range (consecutive).

a) Configuration: All installed terminals (ALL).

1. Via the arrows we select the **3. TERMINALS** menu and press **Ok**.
2. Via the arrows we select **ALL** and press **Ok**.
3. Upon turning the programmer off, the function is configured.

b) Configuration: Terminals in a list (maximum 100 terminals).

1. Via the arrows we select the **3. TERMINALS** menu and press **Ok**.
2. Via the arrows we select **LIST** and press **Ok**.
3. Via the arrows we select the **3.2. TERM LIST** menu and press **Ok**.
4. Via the arrows we select **ADD** and press **Ok**.
5. Via the number buttons we enter the **address** of the terminal we want to add and press **Ok**.

Notes:

- If you want to view the value entered for the **address**, select the **3.2 TERM LIST** menu and press **Ok**. Via the arrows we select **LIST** and press **Ok**.

- If we want to **delete** a terminal from the list, select the **3.2 TERM LIST** menu. Via the arrows we select **ERASE** and press **Ok**. Via the arrows, select the terminal to delete and press **Ok**.

6. Upon turning the programmer off, the function is configured.

Note:

- When the list is complete (100 terminals), the **Relay On** led flashes quickly.

c) Configuration: Terminals included within a defined range (consecutive).

1. Via the arrows we select the **3. TERMINALS** menu and press **Ok**.
2. Via the arrows we select **RANGE** and press **Ok**.
3. Via the arrows we select the **3.1. RANGE START** menu and press **Ok**.
4. Via the numeric keypad, enter the **first address in the range** and press **Ok**.
5. Via the arrows we select the **3.1. RANGE END** menu and press **Ok**.
6. Via the numeric keypad, enter the **last address in the range** and press **Ok**.

Note:

The last address should be greater than the first one.

7. Upon turning the programmer off, the function is configured.

Third step: Configuration of the activation time.

To configure the activation time, follow point: [3.2 CONFIGURING ACTIVATION TIMES](#)

3.3.2.7 ACTIVATING OR DEACTIVATING THE RELAY UPON RECEIVING AN ACTIVATE/ DEACTIVATE COMMAND (receptor relay)

Function description.

The relay can be configured to **activate it** when an Activate Relay command is received at its address, or **deactivate** upon receiving the Deactivate relay command, transmitted by a remote device.

* First remote device operating mode (transmitter relay):

You can activate or deactivate a **relay** (receptor) by activating the Set terminal (button connected between the SET and - terminals), from a remote relay.

For this, the remote relay must be configured as described in chapter: [3.3.1 RX Operating Mode](#), section: [3.3.1.6 ACTIVATE OR DEACTIVATE THE REMOTE RELAY FUNCTION](#)

If the relay we are configuring activates the Reset terminal (button connected between the RESET and - terminals), the relay (receptor) is deactivated.

By default, the Continued function is deactivated, so upon activating the **Set** terminal, the remote relay is activated and the **Reset** terminal deactivates the remote relay.

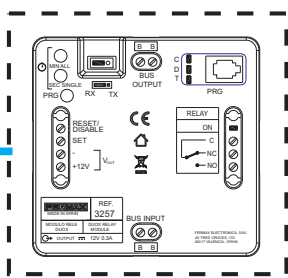
Note: The time configured in the transmitter relay does not effect the receptor relay.

* Second remote device operating mode (transmitter relay):

Continued mode. If with a relay in charge of activating the relay (receptor), we activate Continued mode see: [3.2 CONFIGURATION OF ACTIVATION TIMES](#), upon activating the Set terminal on the transmitter relay, the receptor relay is activated and the Set terminal is deactivated or the Reset terminal on the first transmitter relay is activated, the receptor relay is deactivated.

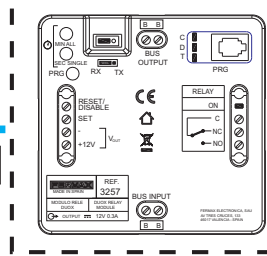
(remote relay configured as transmitter, SEND the Activation or Deactivation command on relay)

REMOTE relay (transmitter relay)



ORIGIN

Relay (receptor relay)



DESTINATION

(configured as Activation or Deactivation upon RECEIVING an Activate or Deactivate transmitter relay command)

Notes:

- The time and mode (timer/Continued), configured in the transmitter relay does not effect the receptor relay.

- Local mode (transmitter relay - relay on):

* SET ON -> Activates relay.

* RESET ON -> Deactivates relay.

- Continued mode:

Remote Relay Activation:

* SET ON -> Activates remote relay.

* $\left[\begin{matrix} \text{SET OFF} \\ \text{RESET ON} \end{matrix} \right] > \text{Remote Relay deactivation.}$

Function configuration.

First step: Configure the command and address.

1. Press the **On/Off** button, the display will show the **Duox Relay** and **version**.
2. Via the arrows we select the **1. COMMAND** menu and press **Ok**.
3. Via the arrows we select the **ACTIVATE RELAY** command and press **Ok**.
4. Via the arrows we select the **1.1 RELAY ADDR.** menu and press **Ok**.
6. Via the number pad we enter the relay address we are configuring, which must be between 0 and 999, and once entered press **Ok**.
7. Via the arrows we select the **1.1 RELAY BLOCK** menu and press **Ok**.
8. a) Via the number pad we enter the **relay block address** we are configuring, which must be between 0 and 99.
b) If you press the arrows (up/down) we configure the **relay** as **GENERAL ENTRANCE**.
To end press **Ok**.
9. Upon turning the programmer off, the function remains activated.

Note: Upon activating the Set or Reset, the Relay Activation or Deactivation command is sent to the configured Relay address and block. The origin address will be the same.

Second step: Configuration of the activation time.

To configure the activation time, follow point: [3.2 CONFIGURING ACTIVATION TIMES](#)

4. TECHNICAL CHARACTERISTICS

- Power supply: 18 - 24 Vdc (non-polarised, via the BUS INPUT or BUS OUTPUT).
- Consumption:
 - * In standby: 1,24 W.
 - *Maximum: 4,4 W.
- Operating temperature: [0, 40°C].
- IP Address: 20.
- (+12V): Auxiliary voltage output 12Vdc (300 mA max).
- Dry contact relay:
 - C: Common.
 - NC: Normally Closed.
 - NO: Normally Open.
 - *Maximum current 3A.
 - * Maximum voltage 250 VAC or 30 VDC.

FERMAX

Avd. Tres Cruces, 133
46017 Valencia
Spain