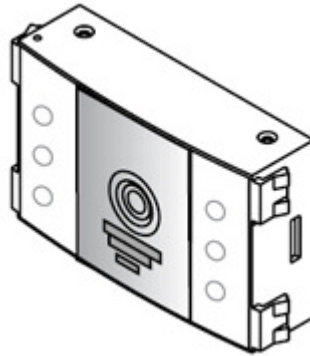


## Ref. 9668 VISION 5 CAMERA MODULE B/N



### DESCRIPTION

Camera module of spare parts for inclusion in CityClassic and CityMax door entry panels.

B/N camera module with built-in lighting and pan&tilt regulation system to adjust the camera lens. For video door entry system installations with B/N monitor and VISIÓN 5 System.

CityClassic is the "continuous profile" outdoor panel line for buildings.

The PANELS are manufactured in anodized aluminium, highly resistant to rough weather and climate changes.

The panel design stands out for its curved-convex profile. A cellular rubber airtight seal included assures a perfect panel-to-wall fit to prevent water filtrations.

Available in several colours: aluminium, golden or bronze and white.

Module to incorporate in panels with viewer.

CityMax is the range of street panels of "continuous profile" and modular composition. With very similar design and characteristics to the CityClassic panel, this panel distinguishes itself in practical aspects that affect the composition and assembly.

This range is composed of 4 panels or frames into which the module can be easily fitted: amplifier, buttons, camera...etc. CityMax panels have the same measurements as the CityClassic series 3, 5, 7 and 8.

Aluminium color.

### TECHNICAL SPECIFICATIONS

Power supply: 18 Vdc

Consumption: 150 mA.

Pan&tilt: 10°

V, M: Impedance 150 Ohm (differential video).